

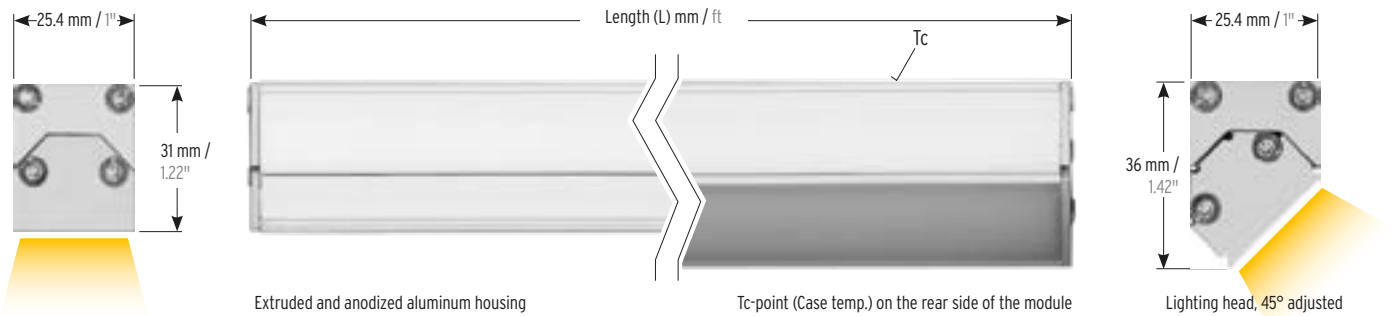
XOOLUM™ IQ White/RGB/Color IP67



24 V compact modular linear LED luminaire in IP67 with adjustable luminaire head (45°). Full polyurethane encapsulation with an opal polyurethane top layer offering a premium water proof sealing (values), UV resistance (no coloration or increase of absorption) chemical stability against urban gazes and protection against abrasion. The absence of air gap between the encapsulation material and the optics reduces the cleaning and maintenance costs. Robust housing made from extruded and anodized aluminum profile and screwed aluminum end caps available in silver or black color as surface-mounted or pendant version. Delivered with 2 m (6.56') open end black cable. Ideal solution for color-dynamic sign or accent lighting in outdoor or humid environments. Light source assembled using state of the art automated Reel to Reel (R2R) production process supporting LED Linear™ Tj Away® thin flexible circuit board technology. In combination with ceramic LED packages an

optimal heat dissipation (junction to installation surface) is achieved which guarantees an outstanding lifetime of > 60,000 hrs L80/B10 for tunable white and 30,000 hrs for RGB. Embeds for tunable white centered high quality LEDs with 3 step MacAdams (SDCM3) binning on target CCT (One Bin Only) with an extended photometric code of Wxxx/339 ensuring an exceptional color consistency over the rated lifetime. Premium color rendition with a CRI of 85 and TM-30-15 up to $R_t = 86 / R_g = 98$ ensuring a remarkable light quality. Consistent light intensity all along the luminaire length is obtained thanks to active current regulation operated by dedicated integrated circuits (ICs) on each step. Protected against electrostatic discharge $\pm 2,000$ V and polarity miswiring. Fully PWM dimmable for frequency > 0 Hz up to 2 kHz (flicker free for frequency higher than 1.2 kHz according to IEEE P1789 standard). Engineered and produced in Germany.

Dimensions & available lengths



Fixture build to length (not field cuttable):

L_{min} : 198 mm (ATON Color: 135 mm); L_{max} : 4,010 mm; in 62.5 mm increments (ATON Color: 125 mm)
 L_{min} : 7.8" (ATON Color: 5.31"); L_{max} : 13.16"; in 2.46" increments (ATON Color: 4.92")

Electrical & output data

Voltage	24 Volt (23 V_{min} , 25 V_{max})	
Temperature	$T_{C_{min}} = -25^{\circ}C / -13^{\circ}F$, $T_{C_{max}} = 70^{\circ}C / 158^{\circ}F$	
Storage temperature	$T_{S_{min}} = -30^{\circ}C / -22^{\circ}F$, $T_{S_{max}} = 85^{\circ}C / 185^{\circ}F$	
Ambient temperature	$T_{a_{min}} = -25^{\circ}C / -13^{\circ}F$, $T_{a_{max}} = 40^{\circ}C / 104^{\circ}F$	

XOOLUM™	IQ White ATON		RGB	Color		
	HD12	HD24	HD20	Red	Green	Blue
Power (W/m / W/ft) ^A	12 / 3.7	24 / 7.3	22 / 6.7	8 / 2.4	8 / 2.4	8 / 2.4
Efficacy (lm/W) ^A	86	89	19	8	39	10
max. length (m / ft)	4 / 13.1	4 / 13.1	4 / 13.1	4 / 13.1	4 / 13.1	4 / 13.1
CRI / R9	85 / 20	85 / 20	-	-	-	-

LED tape	Color temperature ^B	Color (λ_d)	lumen/meter (lm/m) lumen/feet (lm/ft)
IQ White ATON HD12	W822 (2,600 K) - W840 (4,900 K)	-	380 / 116
IQ White ATON HD24	-	-	790 / 241
RGB HD20	-	622 (R)/532 (G)/466 (B)	376 / 115
Color Red	-	625 nm	64 / 20
Color Green	-	526 nm	309 / 94
Color Blue	-	468 nm	78 / 24

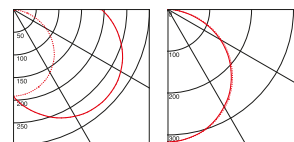
- IQ White ONE BIN ONLY**
 - UV protected
- IQ White Lifetime** (L80/B10 > 60,000 h)
 - Resistant to solvents
- Color/RGB Lifetime** (L80 30,000 h)
 - Saltwater resistant
- Photometric code** (Wxxx/339)
 - Temporary immersion protection
- LM 79 compliant**
 - Impact resistant (suitable for walk over)
- LM 80 compliant**

^A The given data are typical values. Due to tolerances of the production process and the electrical components, values for light output and electrical power can vary up to 10%.

^B In case of IP67 products, tolerances in the color temperature can occur.

Order code

Your order code	XOOLUM	_____	_____	_____	_____	_____	_____	IP67
Order code example	XOOLUM	Color R	1010	S	A	BS		IP67



opal encapsulation
DIN 5040:A50

Ⓔ Kabelführung



LED tape

IQ White ATON HD12	IQ W ATON HD12
IQ White ATON HD24	IQ W ATON HD24
RGB HD20	RGB HD20
Color Red	Color R
Color Green	Color G
Color Blue	Color B

Length

L_{min}: 198 mm (7.8"); ATON Color: 135 mm (5.31");
L_{max}: 4,010 mm (13.16");
in 62.5 mm (2.46") increments; ATON Color: 125 mm (4.92")

Profile color

Silver	S
Black	B

Options

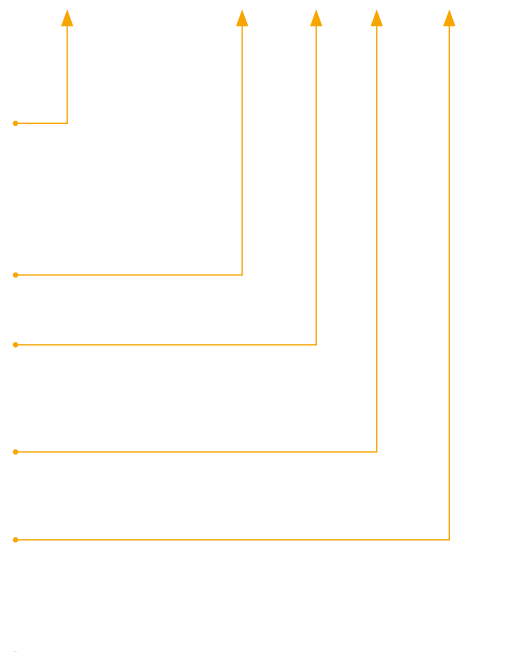
Non adjustable	NA
Adjustable	A

Cable feed[Ⓔ]

Back side, 2 m / 6.56' (through mounting channel)	BS
Front side, 2 m / 6.56' (through end caps)	FS

Ingress protection

IP67	IP67
------------	------



Photos: Stadtwerke Schwerin / Maxpress

Please choose your accessories

Fixture comes with 2 m / 6.56' open end cable.

Mounting	
<input checked="" type="checkbox"/>	no further accessories required, fixture base profile = mounting channel

Mounting (optional)	Art.-#
<input type="checkbox"/> XOOLUM™ 007 Swivel-Angle Set +/- 45°	13000081
<input type="checkbox"/> VarioPendant 007 Slide Silver	13000157
<input type="checkbox"/> VarioPendant 007 Slide black	13000158

Recommended power supply	Art.-#
<input type="checkbox"/> Power Supply Unit IP67	16000153

Recommended control unit	Art.-#
<input type="checkbox"/> Control System White/IQ-White	16000268-DT6

Recommended control unit	Art.-#
<input type="checkbox"/> Control System RGB	16000058

For max. cable length between driver and fixture please visit www.led-linear.com/cable-length

For actual data, further options and detailed information, please visit our website www.led-linear.com