

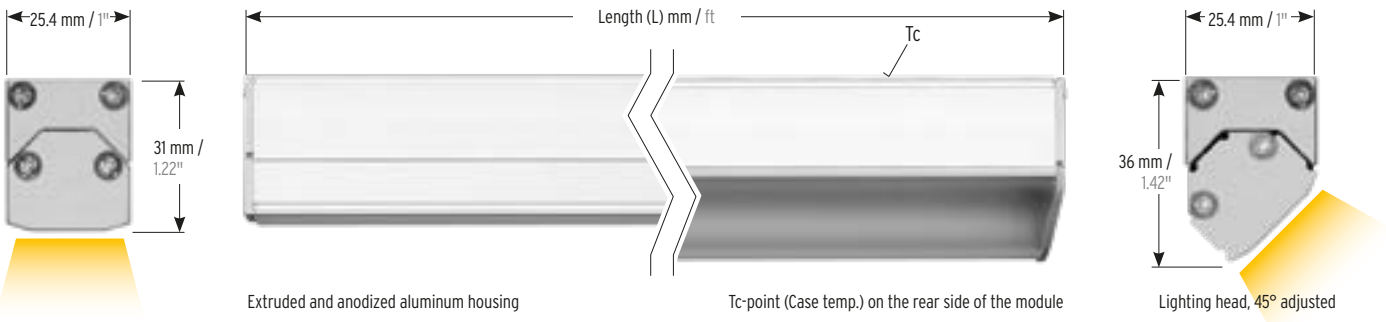
XOOLUM™ IQ White/RGB/Color IP40^A



24 V compact modular, light intensive linear LED luminaire in IP40 with adjustable luminaire head (45°). Robust housing made from extruded and anodized aluminum profile and screwed aluminum end caps available in silver or black color as surface-mounted or pendant version. Delivered with 2 m (6.56') open end black cable. A selection of accurate and efficient optics enables homogeneous illumination for general lighting of accent lighting applications. Light source assembled using state of the art automated Reel to Reel (R2R) production process supporting LED Linear™ Tj Away® thin flexible circuit board technology. In combination with ceramic LED packages an optimal heat dissipation (junction to installation surface) is achieved which guarantees an outstanding lifetime of > 60,000 hrs L80/B10 for tunable

white and 30,000 hrs for RGB. Embeds for tunable white centered high quality LEDs with 3 step MacAdams (SDCM3) binning on target CCT (One Bin Only) with an extended photometric code of Wxxx/339 ensuring an exceptional color consistency over the rated lifetime. Premium color rendition with a CRI of 85 and TM-30-15 up to $R_f = 86 / R_g = 98$ ensuring a remarkable light quality. Consistent light intensity all along the luminaire length is obtained thanks to active current regulation operated by dedicated integrated circuits (ICs) on each step. Protected against electrostatic discharge $\pm 2,000$ V and polarity miswiring. Fully PWM dimmable for frequency > 0 Hz up to 2 kHz (flicker free for frequency higher than 1.2 kHz according to IEEE P1789 standard). Engineered and produced in Germany.

Dimensions & available lengths



Fixture build to length (not field cuttable):

L_{min} : 198 mm (ATON Color: 135 mm); L_{max} : 4,010 mm (IQ W ATON HD42: 2,010 mm); in 62.5 mm increments (ATON Color: 125 mm)
 L_{min} : 7.8" (ATON Color: 5.31"); L_{max} : 13.16' (IQ W ATON HD42: 6.59"); in 2.46" increments (ATON Color: 4.92")

Electrical & output data

Voltage	24 Volt (23 V_{min} , 25 V_{max})	
Temperature ^c	$T_{Cmin} = -25^{\circ}C / -13^{\circ}F$, $T_{Cmax} = 70^{\circ}C / 158^{\circ}F$	
Storage temperature	$T_{Smin} = -30^{\circ}C / -22^{\circ}F$, $T_{Smax} = 85^{\circ}C / 185^{\circ}F$	
Ambient temperature	$T_{amin} = -25^{\circ}C / -13^{\circ}F$, $T_{amax} = \text{specific, see Table below}$	

XOOLUM™	IQ White ATON			RGB	Color		
	HD12	HD24	HD42	HD20	Red	Green	Blue
Power (W/m / W/ft) ^b	12 / 3.7	24 / 7.3	42 / 12.8	22 / 6.7	8 / 2.4	8 / 2.4	8 / 2.4
Efficacy (lm/W) ^b	58	60	61	35	15	71	18
max. length (m / ft)	4 / 13.1	4 / 13.1	2 / 6.6	4 / 13.1	4 / 13.1	4 / 13.1	4 / 13.1
CRI / R9	85 / 20	85 / 20	85 / 20	-	-	-	-
max. Ambient temp. (T_{amax})	40°C / 104°F	40°C / 104°F	40°C / 104°F	40°C / 104°F	50°C / 122°F	50°C / 122°F	50°C / 122°F

LED tape	Color temperature ^b	Color (λ_d)	lumen/meter (lm/m) ^b lumen/feet (lm/ft) ^b @ clear cover ^d
IQ White ATON HD12	W822 (2,200 K) - W840 (4,000 K)	-	700 ^e / 213 ^e
IQ White ATON HD24		-	1,450 ^e / 442 ^e
IQ White ATON HD42		-	2,570 ^e / 784 ^e
RGB HD20	-	622 (R)/532 (G)/466 (B)	691 ^e / 211 ^e
Color Red	-	625 nm	120 / 37
Color Green	-	526 nm	570 / 174
Color Blue	-	468 nm	140 / 43

- IQ White ONE BIN ONLY
- IQ White Lifetime L80/B10 > 60,000 h
- Color/RGB Lifetime L80 30,000 h
- Photometric code Wxxx/339
- LM 79 compliant
- LM 80 compliant
- Protection against granular objects > 1 mm / 0.034"

^A Without cover the IP protection level is reduced from IP40 to IP10.

^B The given data are typical values. Due to tolerances of the production process and the electrical components, values for light output and electrical power can vary up to 10%.

^C The T_c -point should be measured in thermal equilibrium according to IEC EN 60598-1.

^D Sample values.

^E ! Note: -40% luminous flux at opal and -25% with diffuse cover.

^F When all single colors are at full power.

