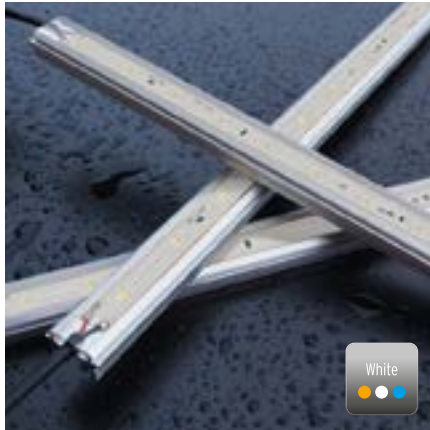
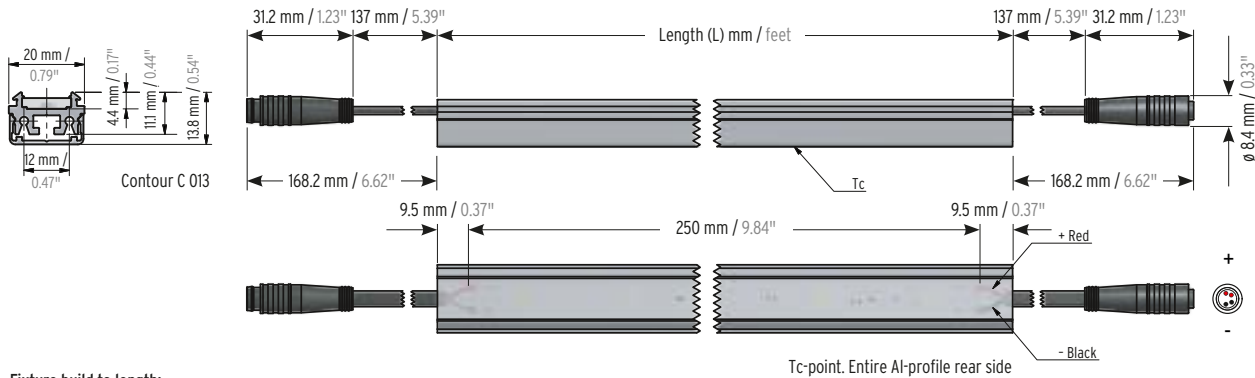


VarioLED™ HYDRA SLD3 White IP67



- ▶ 2.9 W/m / 0.9 W/ft
- ▶ up to 380 lm/m / 115 lm/ft
- ▶ One Bin Only: 3 MacAdam
- ▶ up to CRI 85

Dimensions & available lengths



Fixture build to length:

L_{min}: 269 mm; L_{max}: 4,019 mm; in 250 mm increments
 L_{min}: 10.59"; L_{max}: 13.19"; in 9.84" increments

Electrical & output data

Step length	8 LEDs per 250 mm / 9.84"
Voltage	24 Volt (23 V _{min} , 25 V _{max})
Power (W/m / W/ft) ^A	2.9 / 0.9
Efficacy (lm/W) ^A @ W850	127
max. serial run length (mm / ft)	4,019 / 13.19
Current	1.2 A/30 mA per Step
Temperature ^B	T _{Cmin} = -25°C / -13°F, T _{Smax} = 70°C / 158°F
Storage temperature	T _{Smin} = -30°C / -22°F, T _{Smax} = 85°C / 185°F
Ambient temperature	T _a min = -25°C / -13°F, T _a max = 50°C / 122°F
CRI / R9 @ W830	up to 85 / up to 25

ONE BIN ONLY

UV protected

Lifetime
L80/B10 > 60,000 h

Resistant to solvents

Photometric code
Wxxx/339

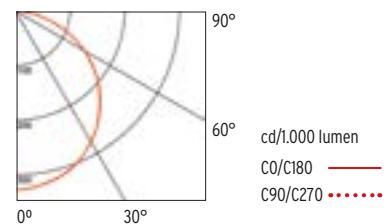
Saltwater resistant

LM 79 compliant

Temporary immersion protection

LM 80 compliant

Color temperature LED tape used	Final color temperature delivered for finished fixture	lumen/meter (lm/m) ^A	lumen/feet (lm/ft) ^A
● W820	2,000 K	220 / 66	
● W822	2,200 K	250 / 75	
● W825	2,500 K	290 / 87	
● W827	2,700 K	310 / 93	
● W830	3,000 K	320 / 97	
● W835	3,500 K	340 / 103	
● W840	4,000 K	350 / 106	
● W850	5,000 K	380 / 115	



^A The given data are typical values. Due to tolerances of the production process and the electrical components, values for light output and electrical power can vary up to 10%.

^B The position of the Tc-point is marked on each step of the LED strip. The Tc-point should be measured in thermal equilibrium according to IEC EN 60598-1.



Photo: Jack Hobhouse

IP67 24 V linear LED light line in functional aluminum profile. Polyurethane encapsulation offering a premium water proof sealing, UV resistance, chemical stability against urban gazes and protection against abrasion. Delivered with 110 mm (4.33") IP67 mini connectors on both ends. The first choice for indirect outdoor or humid cove lighting and other non-directly viewed applications requiring IP67 ingress and restricted budget. Constant voltage LED strip with a step measurement of 250 mm (9.84"). Assembled using state of the art automated Reel to Reel (R2R) production process supporting LED Linear™ Tj Away® thin flexible circuit board technology. In combination with ceramic LED packages a thermal resistivity of 13.15 K/W is achieved for an optimal heat dissipation (junction to installation surface)

which guarantees an outstanding lifetime of > 60,000 hrs L80/B10. Each steps embeds 8 high quality japanese LEDs with 3 step MacAdams (SDCM3) binning centered on target CCT (One Bin Only) with an extended photometric code of Wxxx/339 ensuring color consistency over the rated lifetime. Premium color rendition with a CRI of 95 and TM-30-15 up to $R_f = 91 / R_g = 100$ ensuring a remarkable light quality. Consistent light intensity all along the strip length is obtained thanks to active current regulation operated by dedicated integrated circuits (ICs) on each step. Protected against electrostatic discharge $\pm 2,000$ V and polarity miswiring. Fully PWM dimmable for frequency > 0 Hz up to 2 kHz (flicker free for frequency higher then 1.2 kHz according to IEEE P1789 standard). Engineered and produced in Germany.

Order code

Your order code	VarioLED HYDRA	SLD3	W8	__	____	IP67
Order code example	VarioLED HYDRA	SLD3	W8	27	1519	IP67

Variant

SLD3 LD5

Color rendering

> 80 8

Final CCT delivered for finished fixture	Color temperature LED tape used	
2,500 K	2,000 K	20
2,900 K	2,200 K	22
3,300 K	2,500 K	25
3,800 K	2,700 K	27
4,300 K	3,000 K	30
5,100 K	3,500 K	35
6,100 K	4,000 K	40
9,600 K	5,000 K	50

Length*

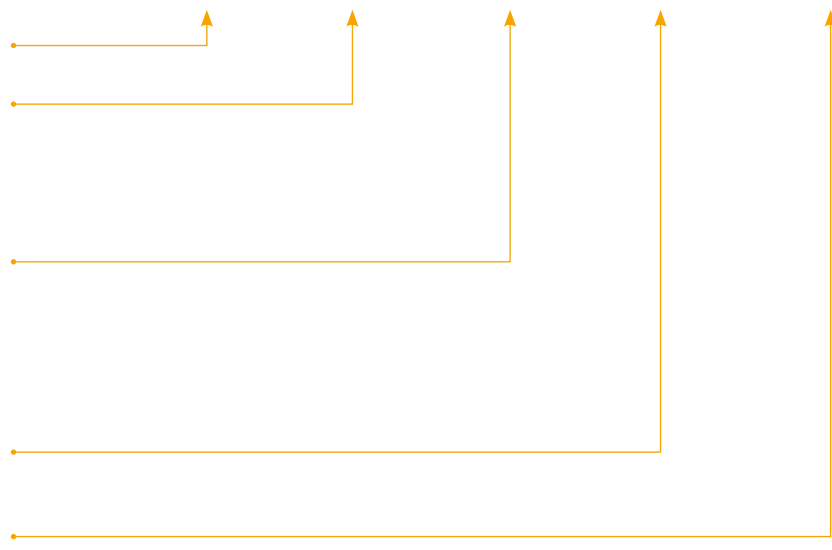
L_{min} : 269 mm (10.59");

L_{max} : 4,019 mm (13.19");

in 250 mm (9.84") increments

Ingress protection

IP67 IP67



*max. lengths product ship with male connector only

Please choose your accessories

Mounting	Art.-#	Recommended power supply	Art.-#
<input type="checkbox"/> Mounting Clip (90 mm / 3.54") (recommended every 500 mm / 19.7")	100010040	<input type="checkbox"/> Power Supply Unit IP67	16000153
<input type="checkbox"/> Mounting Profile (2 m / 6.56')	182000039		
Lead connector from driver	Art.-#	Recommended control unit	Art.-#
<input type="checkbox"/> VarioCon Female Mono 2 x 0.34 mm ² , 2 m / 6.56' IP67	15000091	<input type="checkbox"/> Control System White/IQ-White	16000268-DT6
<input type="checkbox"/> VarioCon Female Mono 2 x 0.34 mm ² , 5 m / 16.4' IP67	15000092		
<input type="checkbox"/> VarioCon Protect Snap	15000115		

Please ask for custom specific adaptations like cable lengths and plugs.