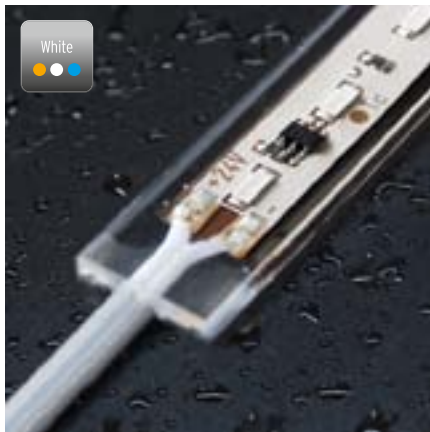




VarioLED™ Flex Side View ECO LD10 White IP67



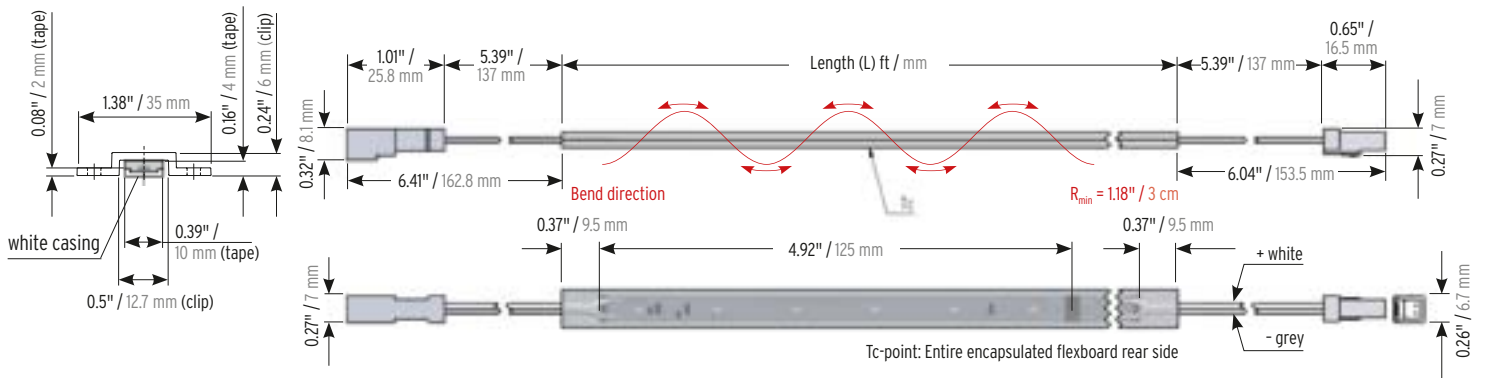
Project name _____

Fixture type _____ Phase _____

Specifier _____ Date _____

- ▶ up to 2.9 W/ft / 9.6 W/m
- ▶ up to 180 lm/ft / 589 lm/m
- ▶ One Bin Only: 3 MacAdam
- ▶ up to CRI 80

Dimensions & available lengths



Fixture build to length:

L_{min}: 5.67"; L_{max}: 16.47"; in 4.92" increments
 L_{min}: 144 mm; L_{max}: 5,019 mm; in 125 mm increments

Electrical & output data

Step length	4.9"/6 LED / 125 mm/6 LED
Voltage	24 Volt (23 V _{min} , 25 V _{max})
Power (W/ft / W/m) ¹	2.9 / 9.6
Efficacy (lm/W) ¹ @ W850	61
max. serial run length (ft / m)	16.4 / 5
Current	2 A/50 mA per Step
Temperature ²	T _{Cmin} = -13°F / -25°C, T _{Cmax} = 140°F / 60°C
Storage temperature	T _{Smin} = -22°F / -30°C, T _{Smax} = 185°F / 85°C
Ambient temperature	T _{Amin} = -13°F / -25°C, T _{Amax} = 113°F / 45°C
CRI	up to 80
R9	up to 9

ONE BIN ONLY

Lifetime: L80/B10 > 60,000 h

LM 79 compliant

LM 80 compliant

UV protected

Resistant to solvents

Saltwater resistant

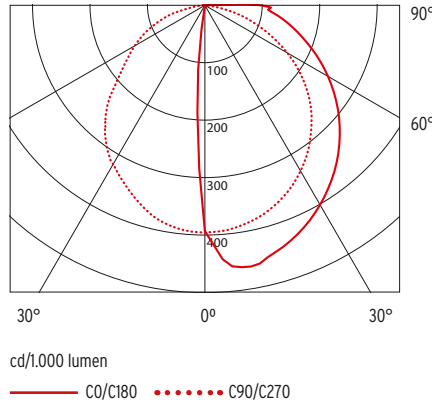
Temporary immersion protection

Color temperature LED tape used	Final color temperature delivered for finished fixture	lumen/feet (lm/ft) ¹	lumen/meter (lm/m) ¹
● W827 2700 K	3400 K	148 / 487	
● W830 3000 K	3800 K	159 / 521	
● W840 4000 K	5900 K	167 / 547	
● W850 5000 K	10400 K	180 / 589	

¹ The given data are typical values. Due to tolerances of the production process and the electrical components, values for light output and electrical power can vary up to 10%.

² In case of IP67 products, tolerances in the color temperature can occur. For further explanation, please see specification catalogue 2016/2017.

For more details regarding changes, min and max data sheet values and production tolerances please see specification catalogue 2016/2017.



Water & UV resistant flexible linear LED luminaire in polyurethane encapsulation with white casing. 24 V, flexible LED strip. Step measurement of 2.46" and Japanese static color LED's provide atmospheric light and color accents for every application. Reel to Reel produced flexible circuit board material with 120 degree beam angle and L80 of 50,000 hrs. Constant current source on the circuit board for even lumen output over full length and extended life expectancy. Protected against electrostatic discharge +/- 2,000V. Engineered in Germany.

Please click here to configure your light line online

Order code

VarioLED™ Flex Side View ECO LD10 White IP67

Your order code	VarioLED Flex Side View ECO	LD10	W8	---	---	IP67
Order code example	VarioLED Flex Side View ECO	LD10	W8	27	5019	IP67

Variant

LD10 LD10

Color rendering

> 80 8

Final CCT delivered for finished fixture **Color temperature LED tape used**

2700 K 2200 K 22

3300 K 2700 K 27

3700 K 3000 K 30

4200 K 3500 K 35

5800 K 4000 K 40

9300 K 5000 K 50

Length

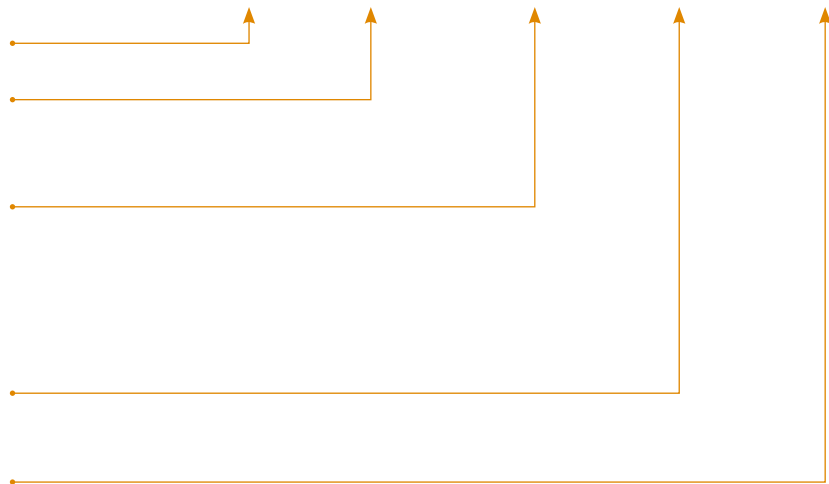
L_{min}: 5.67" (144 mm);

L_{max}: 16.47" (5,019 mm);

in 4.92" (125 mm) increments

Ingress protection

IP67 IP67



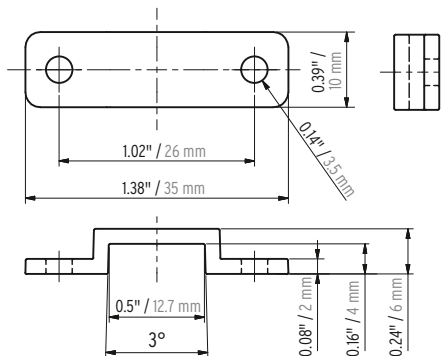
Please choose your accessories

Mounting	Art.-#
<input type="checkbox"/> VarioClip Flex 0.5" / 12.7 mm Clear (Set of 50)	13000115
<input type="checkbox"/> 3M Adhesive tape	18200046

Lead connector from driver	Art.-#
<input type="checkbox"/> VarioCon Female Mini 2 x 0.0005 sqin / 0.34 mm ² 6.65' / 2 m IP67	15000142
<input type="checkbox"/> VarioCon Extension Mini 2 x 0.0005 sqin / 0.34 mm ² 6.65' / 2 m IP67	15000144
<input type="checkbox"/> VarioCon Female Mini Protection Cap Mono IP67	15000218

Recommended driver
<input type="checkbox"/> MEAN WELL HLG-100H-24A

VarioClip Flex



Recommended control

<input type="checkbox"/> EldoLED LINEARdrive DC 180D
--

For further driver options including **LUTRON** click here.