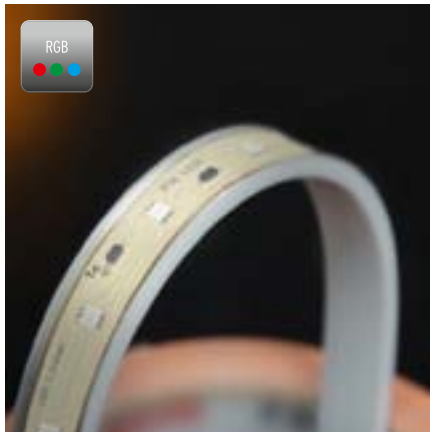




# VarioLED™ Flex RGB LD15 IP67



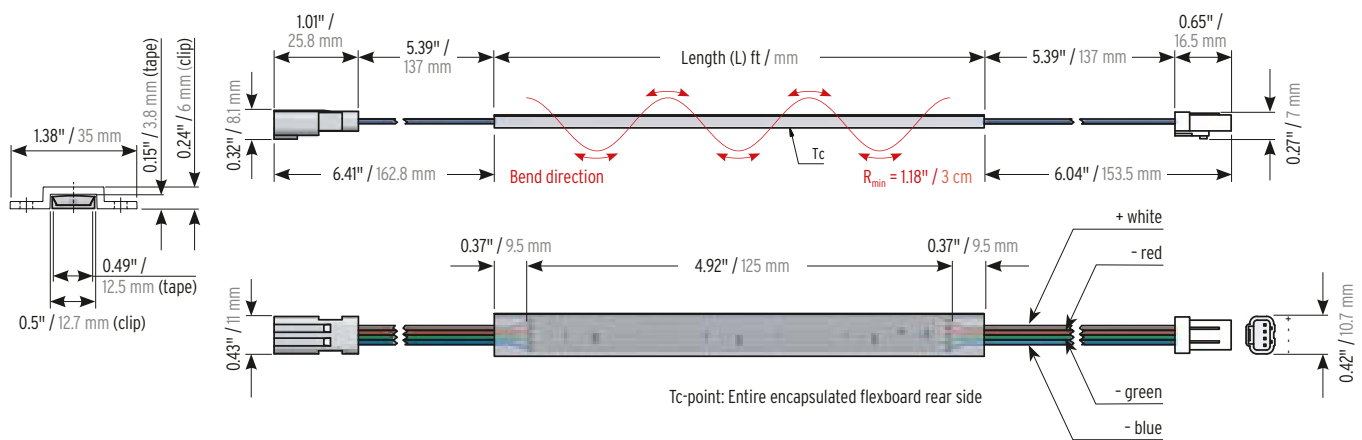
Project name \_\_\_\_\_

Fixture type \_\_\_\_\_ Phase \_\_\_\_\_

Specifier \_\_\_\_\_ Date \_\_\_\_\_

- ▶ 4.6 W/ft / 15 W/m
- ▶ up to 143 lm/ft / 470 lm/m
- ▶ White Point Binning

## Dimensions & available lengths



### Fixture build to length:

$L_{min}$ : 5.67";  $L_{max}$ : 13.19"; in 4.92" increments  
 $L_{min}$ : 144 mm;  $L_{max}$ : 4,019 mm; in 125 mm increments

## Electrical & output data

Step length	4.9"/6 LED / 125 mm/6 LED
Voltage	24 Volt (23 $V_{min}$ , 25 $V_{max}$ )
Power (W/ft / W/m) <sup>1</sup>	4.6 / 15
Efficacy (lm/W) <sup>1</sup>	31
max. serial run length (ft / m)	13.1 / 4
Current	2.4 A/75 mA per Step
Temperature <sup>2</sup>	$T_{Cmin}$ = -13°F / -25°C, $T_{Cmax}$ = 158°F / 70°C
Storage temperature	$T_{Smin}$ = -22°F / -30°C, $T_{Smax}$ = 185°F / 85°C
Ambient temperature	$T_{amin}$ = -13°F / -25°C, $T_{amax}$ = 113°F / 45°C

- Lifetime
- UV protected
- LM 79 compliant
- Resistant to solvents
- LM 80 compliant
- Saltwater resistant
- Temporary immersion protection

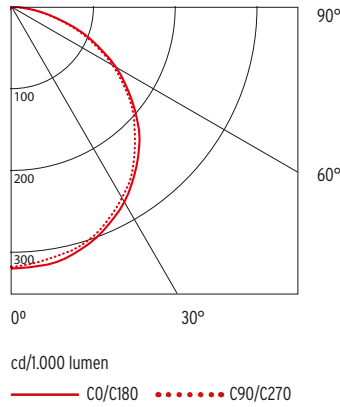
VarioLED™ RGB LD15 IP67	Color ( $\lambda_d$ ) <sup>1</sup> (nm)	lumen/feet (lm/ft) <sup>1</sup>	lumen/meter (lm/m) <sup>1</sup>
RGB Red	622	38 / 125	
RGB Green	532	88 / 290	
RGB Blue	466	17 / 55	
RGB total		143 / 470	

<sup>1</sup> The given data are typical values. Due to tolerances of the production process and the electrical components, values for light output and electrical power can vary up to 10%.

For more details regarding changes, min and max data sheet values and production tolerances please see specification catalogue 2016/2017.



Photo: BM Lighting Design



Water & UV resistant flexible linear LED luminaire in polyurethane encapsulation with white casing and with 5.91" IP67 mini connectors on both ends. 24V, flexible LED strip with reflective, white surface. Step measurement of 4.9" and "3 in 1" color changing LED's provide atmospheric light and color accents for every application. Reel to Reel produced flexible circuit board material with 120 degree beam angle and white point binning. L80 of 30,000 hours. Controllable via DMX and DALI. Constant current source on the circuit board for even lumen output over full length and extended life expectancy. Protected against electrostatic discharge +/- 2,000 V. Engineered in Germany.

Please click here to configure your light line online

Order code

VarioLED™ Flex RGB LD15 IP67

Your order code	VarioLED Flex RGB	LD15	---	IP67
Order code example	VarioLED Flex RGB	LD15	2519	IP67

Variant

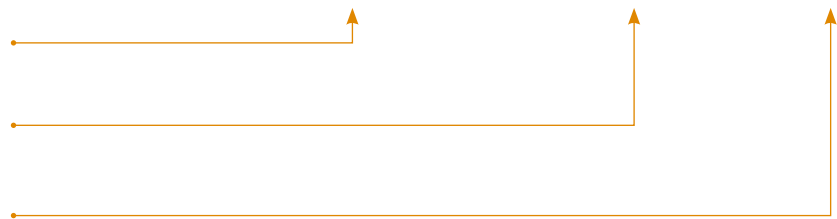
LD15 ..... LD15

Length

L<sub>min</sub>: 5.67" (144 mm);  
L<sub>max</sub>: 13.19' (4,019 mm);  
in 4.92" (125 mm) increments

Ingress protection

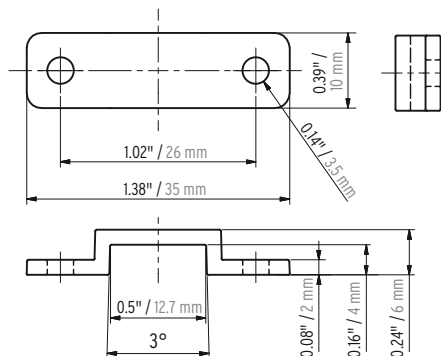
IP67 ..... IP67



Please choose your accessories

Mounting	Art. -#
<input type="checkbox"/> Transparent mounting clip (recommended every 0.5"/ 12.7 mm)	13000115
<input type="checkbox"/> 3M Adhesive tape	182000035
Lead connector from driver	Art. -#
<input type="checkbox"/> VarioCon Female Mini 4 x 0.0004 sqin / 0.25 mm <sup>2</sup> 6.56' / 2 m IP67	15000202
<input type="checkbox"/> VarioCon Extension Mini 4 x 0.0004 sqin / 0.25 mm <sup>2</sup> 6.56' / 2 m IP67	15000204
<input type="checkbox"/> VarioCon Female Mini Protection Cap RGB IP67	15000219
Recommended driver	
<input type="checkbox"/> MEAN WELL HLG-100H-24A	

VarioClip Flex



Recommended control

<input type="checkbox"/> EidoLED LINEARdrive DC 180D
--

Please ask for custom specific adaptations like cable length and plugs.

For further driver options including **LUTRON** click here.