

Coming soon

ULTIMA-Track Opal White Track system luminaire

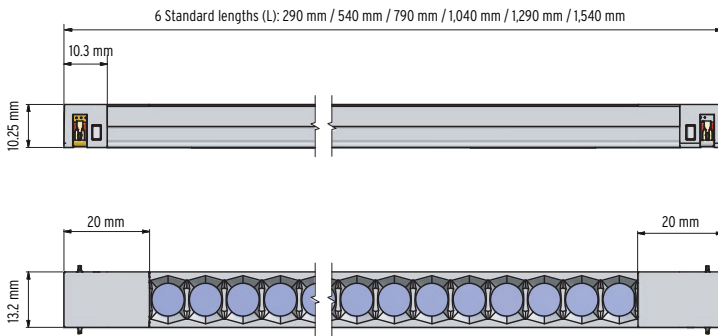
NEW



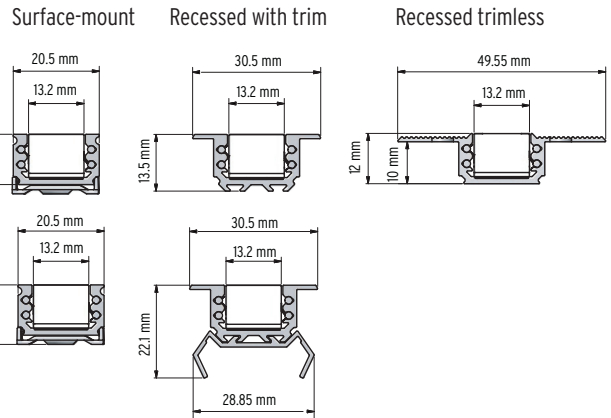
24 V slim linear LED luminaire in IP40 as track module unit with a remarkable minimal footprint of 10 mm x 13 mm. Extruded and anodized aluminum casing profile. Easy magnetic installation in VarioTrack 001. ULTIMA-T Opal comes with a PMMA diffuser offering a dot free illumination. Light source assembled using state of the art automated Reel-to-Reel (R2R) production process supporting LED Linear™ Tj Away® thin flexible circuit board technology. In combination with CSP LED packages a thermal resistivity of 5.3 K/W is achieved for an optimal heat dissipation (junction to profile) which guarantees an outstanding lifetime of > 60,000 hrs L80/B10. Embeds high quality CSP LEDs with 3 step MacAdams (SDCM3) binning centered on target CCT

(One Bin Only) with an extended photometric code of Wxxx/339 ensuring an exceptional color consistency over the rated lifetime. Premium color rendition with a CRI of 95 and TM-30-15 up to $R_r = 92 / R_g = 101$ ensuring a remarkable light quality. Consistent light intensity all along the luminaire length is obtained thanks to active current regulation operated by dedicated integrated circuits (ICs) on each step. Protected against electrostatic discharge +/- 2,000 V and polarity miswiring. Fully PWM dimmable for frequency > 0 Hz up to 2 kHz (flicker free for frequency higher than 1.2 kHz according to IEEE P1789 standard). Engineered and produced in Germany.

Dimensions & available lengths



In VarioTrack 001



Electrical & output data

Voltage	24 Volt (23 V _{min} , 25 V _{max})
Temperature ^B	T _{cmin} = -25°C, T _{cmax} = specific, see Table below
Storage temperature	T _{smin} = -30°C, T _{smax} = 80°C
Ambient temperature	T _{a,min} = -25°C, T _{a,max} = specific, see Table below
CRI / R9	up to 95 / up to 86

	6 W/m	10 W/m	15 W/m
Power (W/m) ^A	6	10	15
Efficacy (lm/W) ^A	65	69	76
max. length (m)	4	4	4
Temperature Tc-point(T _{cmax}) ^B	60°C	60°C	65°C
max. Ambient temp. (T _{a,max})	50°C	45°C	35°C

Color temperature	6 W/m	10 W/m	15 W/m
● W822 2,200 K	280	490	800
● W927 2,700 K	310	520	850
● W930 3,000 K	320	540	870
● W935 3,500 K	320	550	890
● W940 4,000 K	330	560	900
● W850 5,000 K	390	690	1,140

With silver profile.

Lifetime
L80/B10
> 60.000 h

Photometric code
Wxxx/
339

LM 79
compliant

LM 80
compliant

^AThe given data are typical values. Due to tolerances of the production process and the electrical components, values for light output and electrical power can vary up to 10%.

^BThe Tc-point should be measured in thermal equilibrium according to IEC EN 60598-1.

Order code

ULTIMA-T Opal White

Your order code	ULTIMA-T Opal	__	W__	__	__	OL
Order code example	ULTIMA-T Opal	15	W930	1290	BB	OL

Power/meter

6	6
10	10
15	15

Color temperature

2,200 K (W822)	822
2,700 K (W927)	927
3,000 K (W930)	930
3,500 K (W935)	935
4,000 K (W940)	940
5,000 K (W850)	850

Length

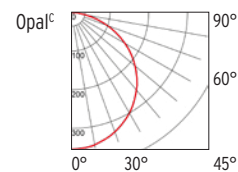
290 mm	0290
540 mm	0540
790 mm	0790
1,040 mm	1040
1,290 mm	1290
1,540 mm	1540

Color

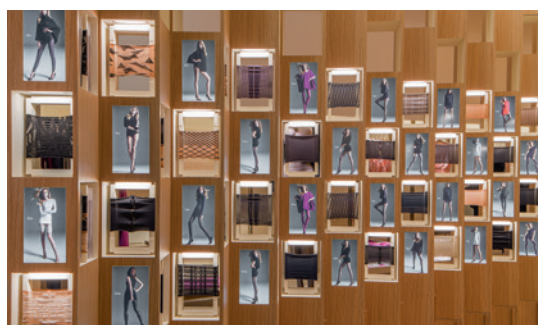
Black profile	BB
Silver profile	SW

Optics (DIN 5040:A60)

Opal	OL
------	----

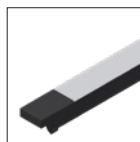


° DIN 5040:A60
 cd/1.000 lumen
 C0/C180 ———
 C90/C270 ·····



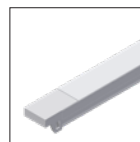
Colors

Black profile



BB

Silver profile





SW

Please choose your accessories

Track accessories as separate item. Please refer to VarioTrack 001 datasheet.

Fixture comes equipped with mounting brackets and 2 m open end cable pre-equipped.

Recommended power supply	Art.-#
<input type="checkbox"/> Power Supply Unit IP20	16000178 

Recommended control unit	Art.-#
<input type="checkbox"/> IN.finite CASAMBI 2Ch CV EVO	16000267-EVO 
<input type="checkbox"/> IN.finite DALI DT6 2Ch CV	16000268-DT6 

For max. cable length between driver and fixture please visit www.led-linear.com/cable-length

For actual data, further options and detailed information, please visit our website www.led-linear.com

Edition: March 9, 2020

LED LINEAR