

ULTIMA-S Opal White Stand-alone luminaire

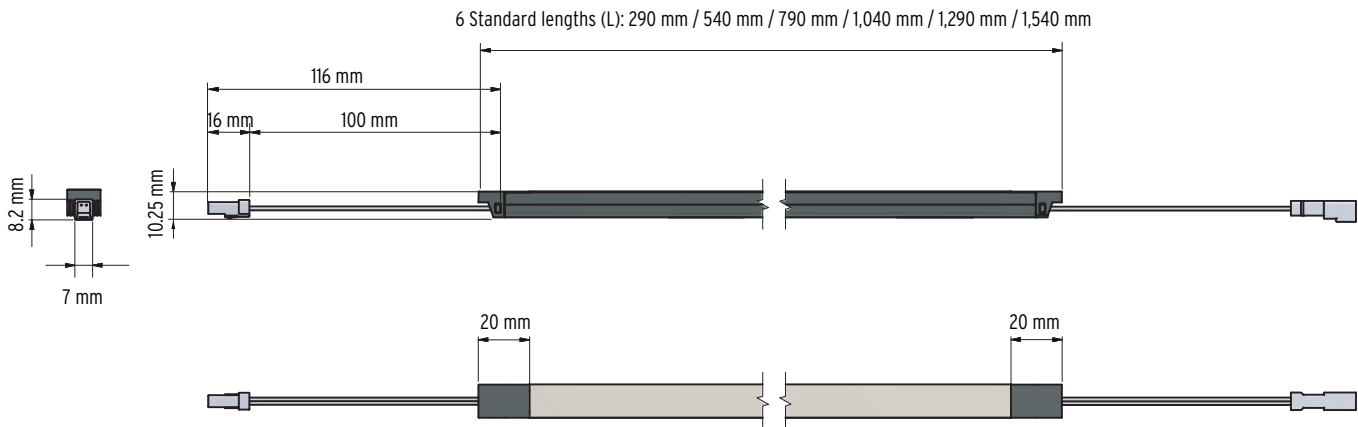
NEW



24 V slim linear LED luminaire in IP40 with integrated glare control as stand-alone unit with a remarkable minimal footprint of 10 mm x 13 mm for surface-mount. Extruded and anodized aluminum casing profile. Easy magnetic installation with pre-mounted magnets on its backside or plastic clips which can be combined with false ceiling clips. Delivered with either 2 m open end white cable or male/female connectors. ULTIMA-S Opal comes with a PMMA diffuser offering a dot free illumination. Light source assembled using state of the art automated Reel to Reel (R2R) production process supporting LED Linear™ Tj Away® thin flexible circuit board technology. In combination with CSP LED packages a thermal resistivity of 5.3 K/W is achieved for an optimal heat dissipation (junction to profile) which guarantees an outstanding lifetime of > 60,000 hrs L80/

B10. Embeds high quality CSP LEDs with 3 step MacAdams (SDCM3) binning centered on target CCT (One Bin Only) with an extended photometric code of Wxxx/339 ensuring an exceptional color consistency over the rated lifetime. Premium color rendition with a CRI of 95 and TM-30-15 up to $R_i = 92 / R_g = 101$ ensuring a remarkable light quality. Consistent light intensity all along the luminaire length is obtained thanks to active current regulation operated by dedicated integrated circuits (ICs) on each step. Protected against electrostatic discharge +/- 2,000 V and polarity miswiring. Fully PWM dimmable for frequency > 0 Hz up to 2 kHz (flicker free for frequency higher than 1.2 kHz according to IEEE P1789 standard). Engineered and produced in Germany.

Dimensions & available lengths



Electrical & output data

Voltage	24 Volt (23 V _{min} , 25 V _{max})
Temperature ^B	T _{c,min} = -25°C, T _{c,max} = specific, see Table below
Storage temperature	T _{s,min} = -30°C, T _{s,max} = 80°C
Ambient temperature	T _{a,min} = -25°C, T _{a,max} = specific, see Table below
CRI / R9	up to 95 / up to 86

	6 W/m	10 W/m	15 W/m	25 W/m ^C
Power (W/m) ^A	6	10	15	25
Efficacy (lm/W) ^A	33	36	41	41
max. length (m)	4	4	4	3
Temperature T _c -point(T _{c,max}) ^B	60°C	60°C	65°C	65°C
max. Ambient temp. (T _{a,max})	50°C	45°C	35°C	25°C

Color temperature		6 W/m	10 W/m	15 W/m	25 W/m ^C
		lumen/meter (lm/m) ^A			
● W822	2,200 K	170	300	510	860
● W927	2,700 K	200	340	560	940
● W930	3,000 K	200	340	580	960
● W935	3,500 K	210	350	590	990
● W940	4,000 K	210	350	600	1,000
● W850	5,000 K	200	360	610	1,030

With silver profile.

ONE BIN ONLY

Lifetime

L80/B10 > 60.000 h

Photometric code

Wxxx/339

LM 79 compliant

LM 80 compliant

^A The given data are typical values. Due to tolerances of the production process and the electrical components, values for light output and electrical power can vary up to 10%.

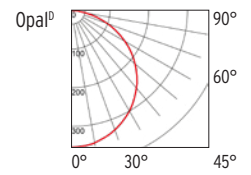
^B The T_c-point should be measured in thermal equilibrium according to IEC EN 60598-1.

^C Only for non-recessed applications

Order code

ULTIMA-S Opal White

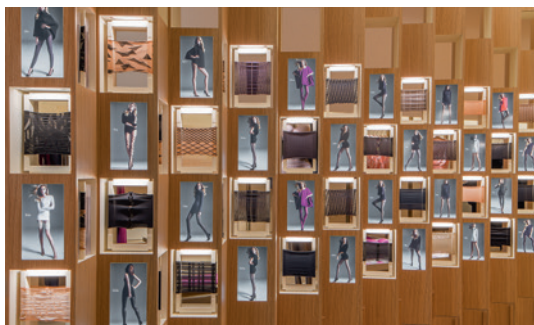
Your order code	ULTIMA-S Opal	___	___	W___	___	___	OL	___
Order code example	ULTIMA-S Opal	MAG	15	W930	1290	SW	OL	DC



DIN 5040:A60

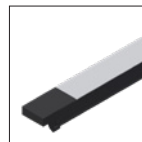
- cd/1.000 lumen
- C0/C180 ———
- C90/C270 ●●●●●

Mounting								
Magnetic	MAG	↑						
Clips	CLO		↑					
Adjustable Mounting Clips	AMC			↑				
Grid Ceiling Clips	FCC				↑			
Power/meter								
6	6							
10	10							
15	15	●	↑					
25	25							
Color temperature								
2,200 K (W822)	822							
2,700 K (W927)	927							
3,000 K (W930)	930	●	↑					
3,500 K (W935)	935							
4,000 K (W940)	940							
5,000 K (W850)	850							
Length								
290 mm	0290							
540 mm	0540							
790 mm	0790							
1,040 mm	1040							
1,290 mm	1290	●	↑					
1,540 mm	1540							
Color								
Black profile	BB							
Silver profile	SW	●	↑					
Optics (DIN 5040:A60)								
Opal	OL	●	↑					
Power Feed Configuration								
Daisy chain (male/female)	DC	●	↑					
Male one side	MO							
Open end one side	OO							



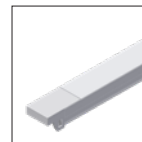
Colors

Black profile



BB


Silver profile



SW

Please choose your accessories

Fixture comes equipped with mounting brackets and 2 m open end cable pre-equipped.

Recommended power supply	Art.-#
<input type="checkbox"/> Power Supply Unit IP20	16000178 

Recommended control unit	Art.-#
<input type="checkbox"/> IN.finite CASAMBI 2Ch CV EVO	16000267-EVO 

<input type="checkbox"/> IN.finite DALI DT6 2Ch CV	16000268-DT6 
--	--

For max. cable length between driver and fixture please visit www.led-linear.com/cable-length

For actual data, further options and detailed information, please visit our website www.led-linear.com

Edition: March 6, 2020

LED LINEAR