

ULTIMA-S NANO White Stand-alone luminaire

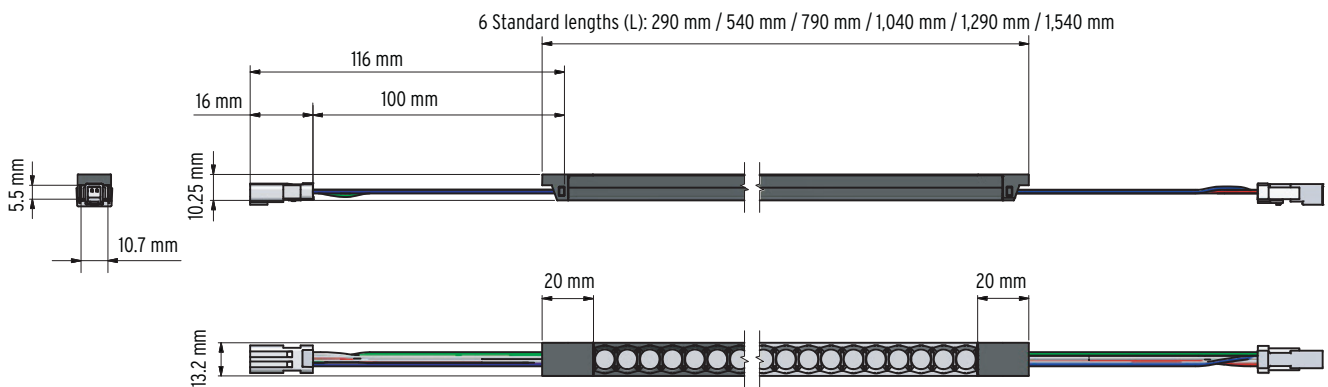
NEW



24 V slim linear LED luminaire in IP40 with integrated glare control as stand-alone unit with a remarkable minimal footprint of 10 mm x 13 mm for surface-mount. Extruded and anodized aluminum casing profile. Easy magnetic installation with pre-mounted magnets on its backside or plastic clips which can be combined with false ceiling clips. Delivered with either 2 m open end white cable or male/female connectors. Nanometric lenses optics technology enabling accurate 15°, 25°, 40°, 60°, beam angle gaussian lighting distribution with a Color Over Angle (CoA) of 25 K, batwing or wall wash nano optics. ULTIMA-S NANO comes with anti-glare optics available in black or white offering a UGR as low as < 13 for an optimal visual comfort. Light source assembled using state of the art automated Reel to Reel (R2R) production process supporting LED Linear™ Tj Away® thin flexible circuit board technology. In combination with CSP LED packages a thermal resistivity of 5.3

K/W is achieved for an optimal heat dissipation (junction to profile) which guarantees an outstanding lifetime of > 60,000 hrs L80/B10. Embeds high quality CSP LEDs with 3 step MacAdams (SDCM3) binning centered on target CCT (One Bin Only) with an extended photometric code of Wxxx/339 ensuring an exceptional color consistency over the rated lifetime. Premium color rendition with a CRI of 95 and TM-30-15 up to $R_f = 92 / R_g = 101$ ensuring a remarkable light quality. Consistent light intensity all along the luminaire length is obtained thanks to active current regulation operated by dedicated integrated circuits (ICs) on each step. Protected against electrostatic discharge +/- 2,000 V and polarity miswiring. Fully PWM dimmable for frequency > 0 Hz up to 2 kHz (flicker free for frequency higher than 1.2 kHz according to IEEE P1789 standard). Engineered and produced in Germany.

Dimensions & available lengths




Electrical & output data

Voltage	24 Volt (23 V _{min} , 25 V _{max})
Temperature ^B	T _{c_min} = -25°C, T _{c_max} = specific, see Table below
Storage temperature	T _{s_min} = -30°C, T _{s_max} = 80°C
Ambient temperature	T _{a_min} = -25°C, T _{a_max} = specific, see Table below
CRI / R9	up to 95 / up to 86

	6 W/m	10 W/m	15 W/m	20 W/m	25 W/m ^C
Power (W/m) ^A	6	10	15	20	25
Efficacy (lm/W) ^A	65	69	76	94	75
max. length (m)	4	4	4	3	3
Temperature T _c -point(T _{c_max}) ^B	60°C	60°C	65°C	65°C	65°C
max. Ambient temp. (T _{a_max})	50°C	45°C	35°C	30°C	25°C

Color temperature	lumen/meter (lm/m) ^A @ 15° optic and white anti-glare				
● W822 2,200 K	350	600	990	1,320	1,650
● W927 2,700 K	390	650	1,050	1,380	1,710
● W930 3,000 K	390	670	1,080	1,425	1,770
● W935 3,500 K	400	680	1,100	1,450	1,800
● W940 4,000 K	410	690	1,120	1,470	1,820
● W850 5,000 K	490	850	1,140	1,870	2,330

With silver profile.



ONE BIN ONLY

NanoRay
LED LINEAR™ TECHNOLOGY

Lifetime
L80/B10 > 60,000 h

Photometric code
Wxxx/339

LM 79 compliant
LM 79

LM 80 compliant
LM 80

^AThe given data are typical values. Due to tolerances of the production process and the electrical components, values for light output and electrical power can vary up to 10%.

^BThe T_c-point should be measured in thermal equilibrium according to IEC EN 60598-1.

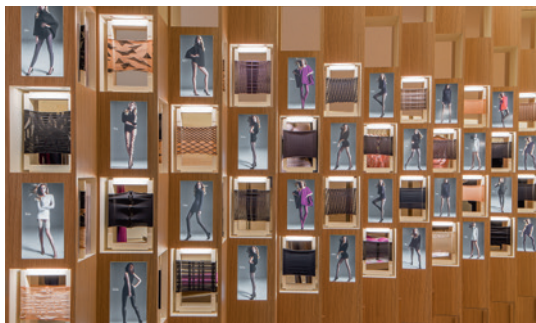
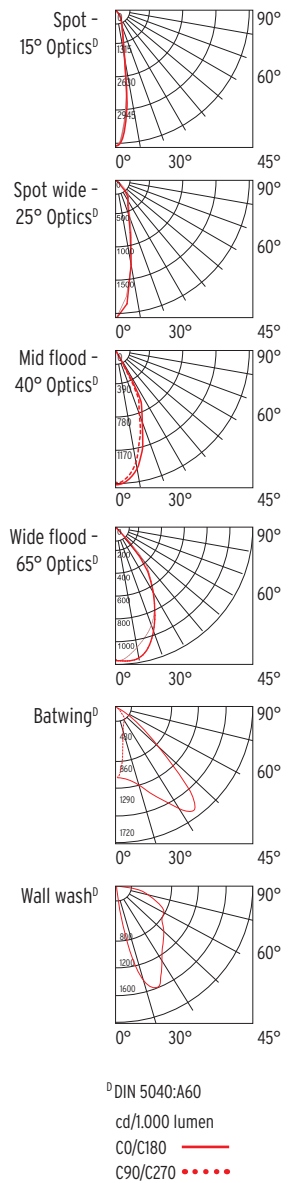
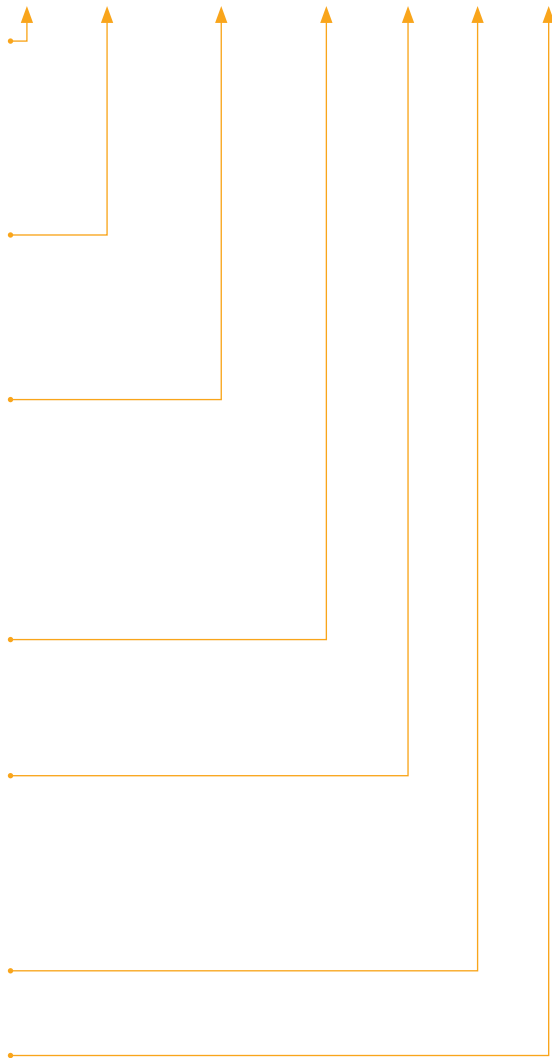
^COnly for non-recessed applications.

Order code

ULTIMA-S NANO White

Your order code	ULTIMA-S NANO	__	__	W	__	__	__	__
Order code example	ULTIMA-S NANO	MAG	15	W930	1290	SB	BW	DC

Mounting	
Magnetic	MAG
Clips	CLO
Adjustable Mounting Clips	AMC
Grid Ceiling Clips	FCC
Power/meter	
6	6
10	10
15	15
20	20
25	25
Color temperature	
2,200 K (W822)	822
2,700 K (W927)	927
3,000 K (W930)	930
3,500 K (W935)	935
4,000 K (W940)	940
5,000 K (W850)	850
Length	
290 mm	0290
540 mm	0540
790 mm	0790
1,040 mm	1040
1,290 mm	1290
1,540 mm	1540
Color	
Black profile with black anti-glare	BB
Black profile with white anti-glare	BW
Silver profile with black anti-glare	SB
Silver profile with white anti-glare	SW
Optics (DIN 5040:A60)	
Spot - 15° Optics	15
Spot wide - 25° Optics	25
Mid flood - 40° Optics	40
Wide flood - 65° Optics	65
Batwing	BW
Wall wash	WW
Power Feed Configuration	
Daisy chain (male / female)	DC
Male one side	MO
Open end one side	00



Colors

Black profile with black anti-glare



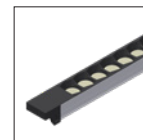
BB

Black profile with white anti-glare



BW

Silver profile with black anti-glare



SB

Silver profile with white anti-glare



SW

Please choose your accessories

Fixture comes equipped with mounting brackets and 2 m open end cable pre-equipped.

Recommended power supply	Art.-#	
<input type="checkbox"/> Power Supply Unit IP20	16000178	

Recommended control unit	Art.-#	
<input type="checkbox"/> IN.finite CASAMBI 2Ch CV EVO	16000267-EVO	
<input type="checkbox"/> IN.finite DALI DT6 2Ch CV	16000268-DT6	

For max. cable length between driver and fixture please visit www.led-linear.com/cable-length

For actual data, further options and detailed information, please visit our website www.led-linear.com

Edition: March 6, 2020

LED LINEAR