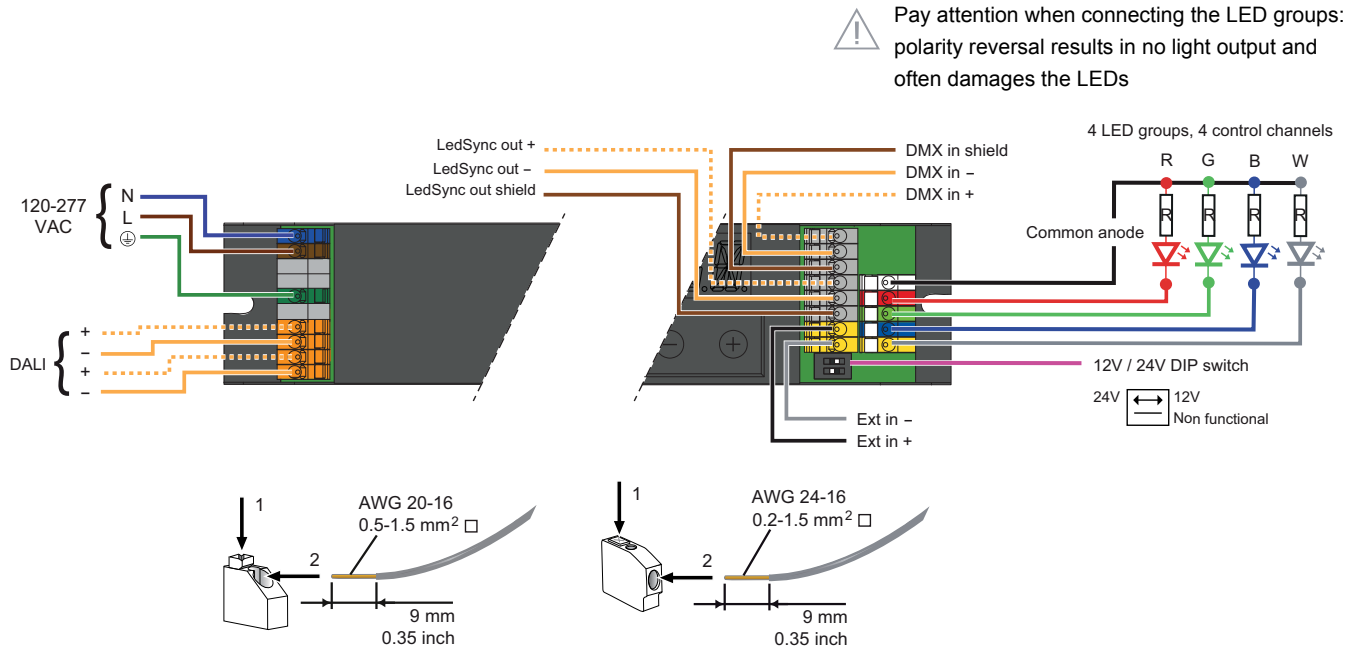


Wiring diagram LINEARdrive 100/M

(LIN100M1)



⚠ Pay attention when connecting the LED groups: polarity reversal results in no light output and often damages the LEDs



WARNING: Risk of electrical shock. May result in serious injury or death. Disconnect power before servicing or installing.



CAUTION: The device may only be connected and installed by a qualified electrician. All applicable regulations, legislation and building codes must be observed. Incorrect installation of the device can cause irreparable damage to the device and the connected LEDs.

120-277VAC

The driver accepts a universal mains voltage input of 120-277VAC, 50/60Hz.

DALI

Use these connectors to connect the driver to a DALI network. Always combine a DA+ and DA- connector for either data input or data output.

DMX in/LedSync out

Use these connectors when the driver is used in a DMX network. For DMX in, connect the network cable's DMX+, DMX- and DMX shielding wire (the orange/white, orange and brown wire in a CAT5 cable) to the DMX in+, DMX in- and DMX in shield connector respectively. For LedSync out, connect the network cable's DMX+, DMX- and DMX shielding wire to the LedSync out+, LedSync out- and LedSync out shield connector respectively.

LED groups

Indicates the location of the connectors for your LED groups. R(ed) represents channel 1, G(reen) represents channel 2, B(lue) represents channel 3 and W(hite) represents channel 4. One common anode provides the positive supply voltage for all four LED groups. The default group color allocation can be changed over the 3-button user interface.

LED wire length

Maximum wire length from LED driver to LED engine at full load:

AWG value	20	19	18	17	16
Distance (m)	14	18	22	28	36
Distance (ft)	45.9	59	72.2	91.9	118.1



Please observe voltage drop over long wire lengths.



Longer wire lengths increase EMI susceptibility.

Ext in

You have the possibility to connect an external control device (0-10V control device, 10kΩ potentiometer or show selection switch) to the driver's Ext in+ and Ext in- connectors. Configure the driver for use with an external control device over the 3-button user interface.

12-24V DIP switch

Set DIP switch 1 to ON when you're connecting a 24V LED strip; set DIP switch 1 to OFF when you're connecting a 12V LED strip. (DIP switch 2 is not used.)

Warning: setting DIP switch 1 to ON for use with 24V LEDs and subsequently connecting 12V LEDs can damage the LEDs!

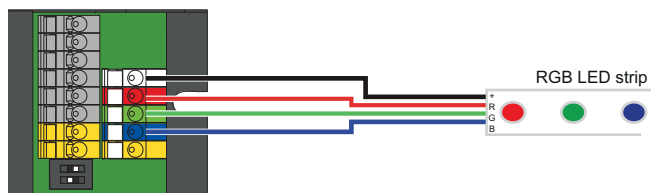
Connecting an RGB LED strip

Maximum current per output at 12V: 2.77A

Maximum current per output at 24V: 1.33A

Configuration of the LED groups:

Press M and + simultaneously, in the LED menu choose RGB and save by pressing M.



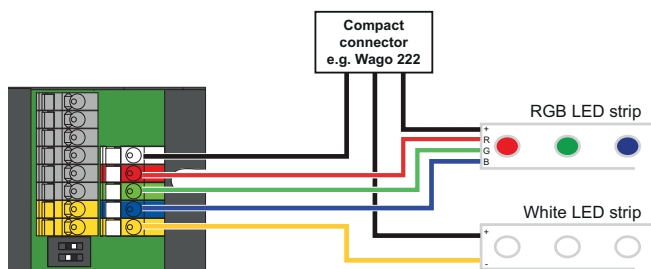
Connecting an RGB strip and a white LED strip

Maximum current per output at 12V: 2A

Maximum current per output at 24V: 1A

Configuration of the LED groups:

Press M and + simultaneously, in the LED menu choose RGBW and save by pressing M.



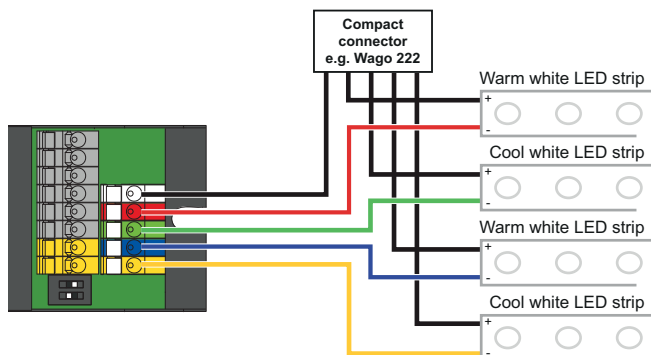
Connecting warm white and cool white LED strips

Maximum current per output at 12V: 2A

Maximum current per output at 24V: 1A

Configuration of the LED groups:

Press M and + simultaneously, in the LED menu choose 4-4L and save by pressing M.



Connecting four white or self-colored LED strips

Maximum current per output at 12V: 2A

Maximum current per output at 24V: 1A

Configuration of the LED groups:

Press M and + simultaneously, in the LED menu choose 1-4L and save by pressing M.

