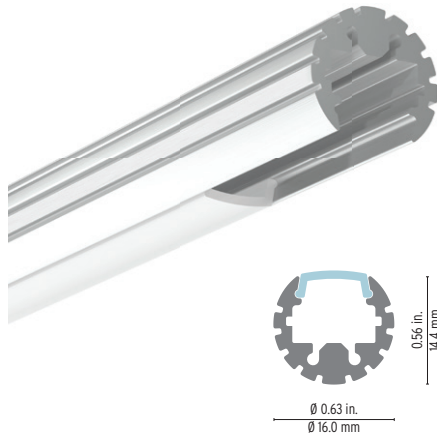


VarioContour 4500 Aluminum Profile



The 4500 is a slim but extremely versatile display solution. With its ultra-compact size and its complete freedom of lighting direction, you will find many ways to install it with its wide variety of accessories.

Features

- Delivered in standard 6.5 ft (2m) length.
- Available as factory assembled complete fixture. See page 3 for details.
- Ultra-compact size with a diameter of only 16mm (5/8in).
- 4500 brackets allow adjusting lighting direction as desired.
- Designed to meet North American woodworking standards.
- Made of ALCOA 6063-T5 aluminum alloy increasing heat dissipation.
- Its use increases the lifetime of your LED strip.

Project name _____

Fixture type _____ Phase _____

Specifier _____ Date _____



Linear weight:
0.147 lbs/ft (without optic)




Cable Feed: End (E)
Max 3.1 W/ft

Order Code - Component

Family	Profile	Optic	Endcaps	Mounting
VarioContour				
	<p>4500 Profile, Alu 4022</p> <p>4500 Profile, Black 4021</p>	<p>4000 Clear 4032</p> <p>4000 Diffuse 4034</p> <p>4000 Opal 4030</p>	<p>4500 Round Endcap Alu 4050 ALU, NO HOLE 4055 ALU, HOLE 4051 BLACK, NO HOLE 4056 BLACK, HOLE</p>	<p>4500 surface bracket 4062</p> <p>"U" bracket, Alu 4065</p> <p>"P" bracket, alu 4067</p> <p>Arm Kit Vert Surface 4090</p> <p>Arm Kit Horz Surface 4070</p> <p>Arm Kit Vert Insert 4092</p> <p>Arm Kit Horz Insert 4072</p> <p>4500 endcap susp. kit with 15ft. coax. cable 4080 ALU 4081 BLACK</p> <p>1.5" stainless steel canopy kit for coax. wire (suspended) 4075</p>

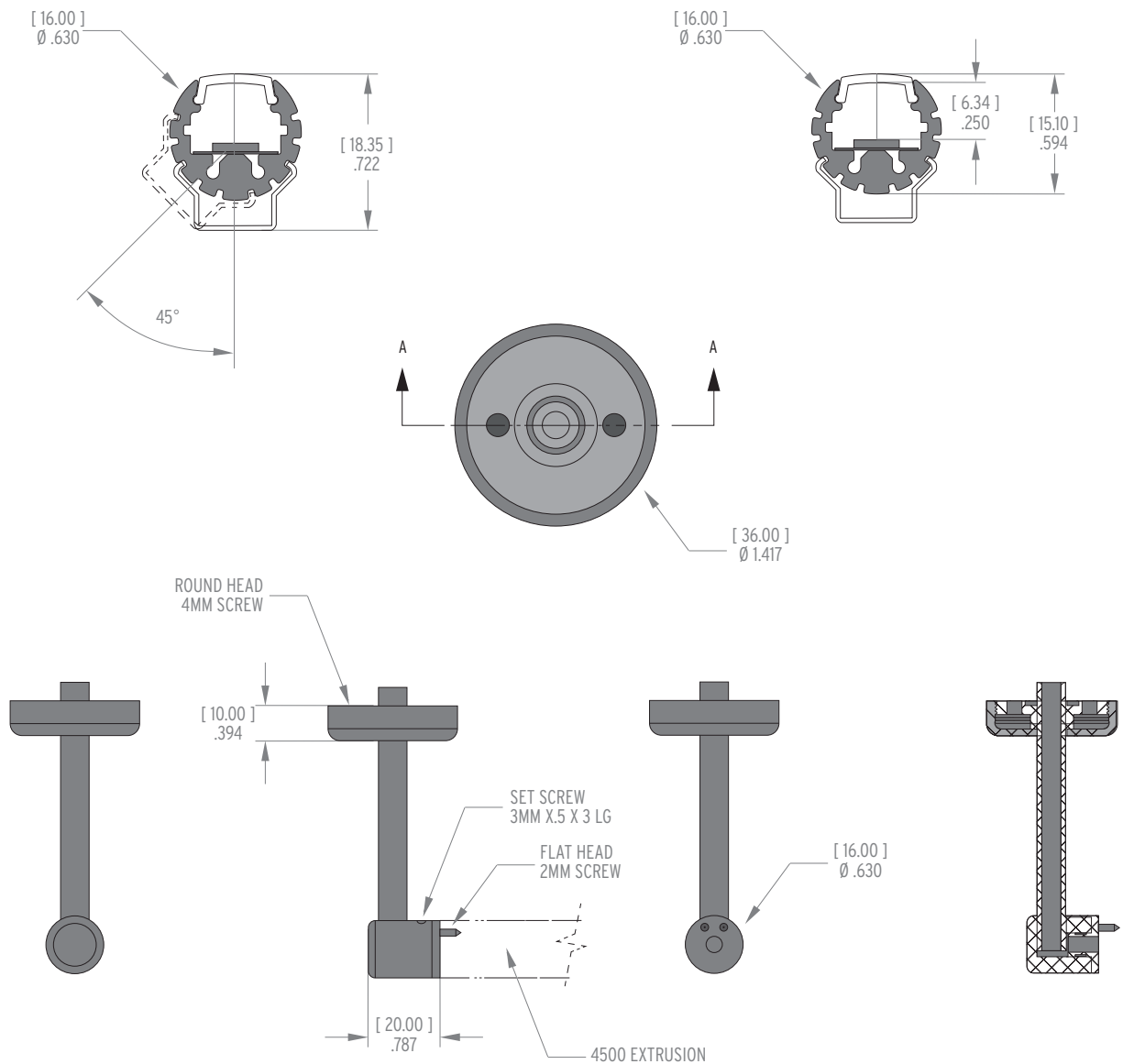
Technical Details

Optics

CLEAR	DIFFUSE	OPAL
96.5% efficiency	85% efficiency	50% efficiency
		
120°	120°	120°
Diffusion 20% CCT decrease 65 K	Diffusion 80% CCT decrease 130 K	Diffusion 100% CCT decrease 215 K

Assembly Dimensions $\begin{matrix} [\text{mm}] \\ \text{in} \end{matrix}$

WITH STANDARD OPTIC



SECTION A-A

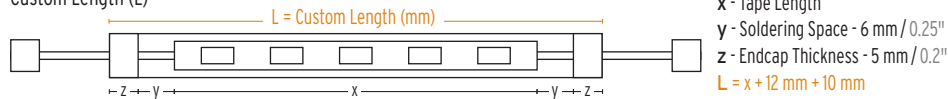
Order Code - Factory Assembled Fixture

Family	LED Tape Order Code	Profile Component Order Code ^A	Cable/Connector	Cable Position ^B	Custom Length (mm)	Ingress
VarioLED	Refer to LED Tape Spec Sheet	Refer to Profile Spec Sheet (Page 1)	A - Female and Male IP20 Connector (4 in) B - Male IP20 Connector on one side (4 in) C - Open end cable lead on both sides (2 ft) D - Open end lead on one side (2 ft)	E - Cables from end of fixture	Refer to Custom Tape Length Chart Below (insert L)	IP20

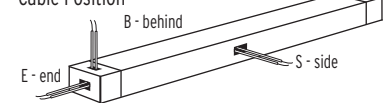
Example

VarioLED	Hydra HD15 W830	1200 1269 1280	A	B	1969	IP20
----------	-----------------	----------------	---	---	------	------

Custom Length (L)



Cable Position



Tape Length (x) Chart ^{C,D}	Min. Tape Length	Max. Tape Length	Tape Increment
Luminaris LD	70 mm / 2.76"	1970 mm / 77.56"	70 mm / 2.76"
Luminaris HD	70 mm / 2.76"	1970 mm / 77.56"	70 mm / 2.76"
Hydra LD	125 mm / 4.92"	1885 mm / 74.21"	125 mm / 4.92"
Hydra HD	62.5 mm / 2.46"	1947 mm / 76.67"	62.5 mm / 2.46"
Hydra LD Tunable White	125 mm / 4.92"	1885 mm / 74.21"	125 mm / 4.92"
Hydra LD RGB	125 mm / 4.92"	1885 mm / 74.21"	125 mm / 4.92"
Hydra HD RGB	62.5 mm / 2.46"	1947 mm / 76.67"	62.5 mm / 2.46"

^A Do not need to specify endcaps. Factory assembled fixtures come with endcaps to match the selected optic, cable and connector configurations.

^B Some cable positions may not be available for certain models. See profile spec sheets for details.

^C Maximum fixture length is 6.5 ft (2m) for all models.

^D For custom fixture length, add 5 mm / 0.2" for each endcap thickness and 6 mm / 0.25" for soldering space.