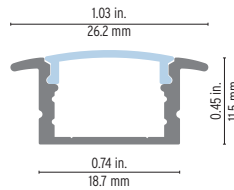
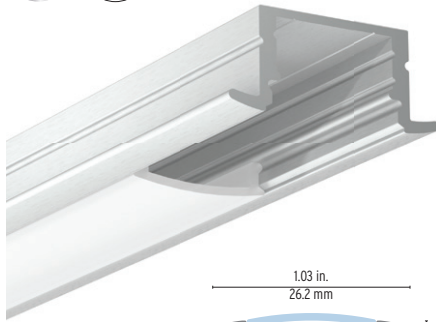


# VarioContour 1300 Aluminum Profile



Compact and recessed profile. The edges on each side of this extrusion allow for a recessed installation, while having style with its discreet and neat appearance.

### Features

- Delivered in standard 6.5 ft (2m) length.
- Available as factory assembled complete fixture. See page 3 for details.
- Allows recessed installation (in 19mm (3/4-inch) groove).
- Designed to meet North American woodworking standards.
- Made of ALCOA 6063-T5 aluminum alloy increasing heat dissipation.
- Its use increases the lifetime of your LED strip.
- Compatible with multiple installation accessories.

Project name \_\_\_\_\_

Fixture type \_\_\_\_\_ Phase \_\_\_\_\_

Specifier \_\_\_\_\_ Date \_\_\_\_\_



**Linear weight:**  
0.115 lbs/ft (without optic)

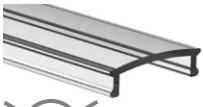
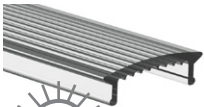

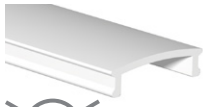

Cable Feed: Behind (B)  
Max 4.7 W/ft

## Order Code - Component

| Family       | Profile                             | Optic                             | Endcaps   | Mounting                             |
|--------------|-------------------------------------|-----------------------------------|---|--------------------------------------|
| VarioContour |                                     |                                   |   |                                      |
|              | <p>1300 Profile, Alu<br/>1220</p>   | <p>Standard, Clear<br/>1269</p>   | <p>Standard 1300 Endcap<br/>1274 ALU, HOLE<br/>1297 WHITE, HOLE</p> | <p>Flat clip-in bracket<br/>1280</p> |
|              | <p>1300 Profile, White<br/>1304</p> | <p>Standard, Spread<br/>1265</p>  |   | <p>45° corner bracket<br/>1283</p>   |
|              |                                     | <p>Standard, Diffuse<br/>1261</p> |   | <p>Swivel Bracket 180°<br/>1286</p>  |
|              |                                     | <p>Standard, Opal<br/>1263</p>    |   |                                      |
|              |                                     | <p>Standard, Prime<br/>1266</p>   |   |                                      |

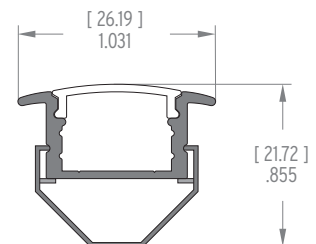
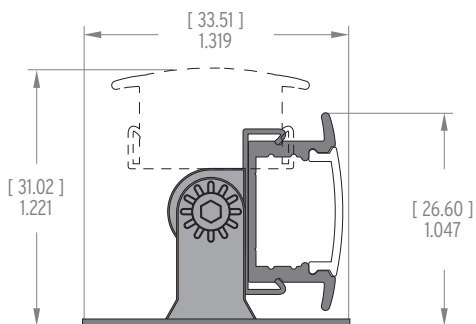
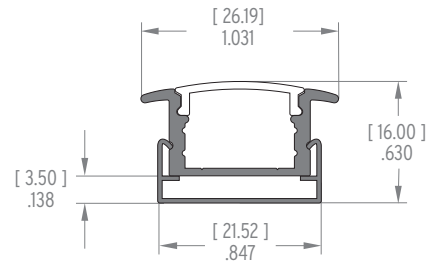
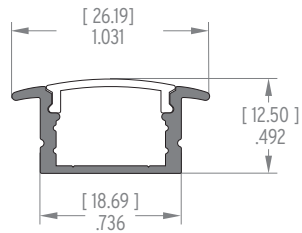
## Technical Details

### Optics

| CLEAR   | SPREAD  | DIFFUSE   | OPAL   | PRIME   |
|---|---|---|--|---|
| 96.5% efficiency  | 95% efficiency  | 85% efficiency  | 50% efficiency   | 73% efficiency  |
|  |  |  |  |  |
| 120°  | 160°  | 120°  | 120°   | 120°  |
| Diffusion 20%<br>CCT decrease 65 K  | Diffusion 30%<br>CCT decrease 65 K  | Diffusion 80%<br>CCT decrease 130 K   | Diffusion 100%<br>CCT decrease 215 K   | Diffusion 92%<br>CCT decrease 30 K  |

### Assembly Dimensions $\begin{matrix} [\text{mm}] \\ \text{in} \end{matrix}$

WITH STANDARD OPTIC



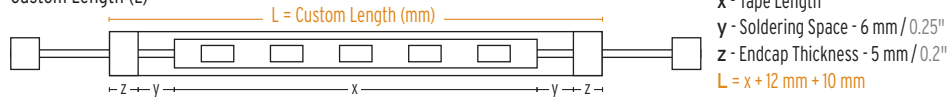
## Order Code - Factory Assembled Fixture

| Family   | LED Tape Order Code          | Profile Component Order Code <sup>A</sup> | Cable/Connector   | Cable Position <sup>B</sup>   | Custom Length (mm) | Ingress |
|----------|------------------------------|---|---|---|--------------------|---------|
| VarioLED | Refer to LED Tape Spec Sheet | Refer to Profile Spec Sheet (Page 1)      | <b>A</b> - Female and Male IP20 Connector (4 in)<br><b>B</b> - Male IP20 Connector on one side (4 in)<br><b>C</b> - Open end cable lead on both sides (2 ft)<br><b>D</b> - Open end lead on one side (2 ft) | <b>B</b> - Cables from behind fixture<br>Refer to Custom Tape Length Chart Below (insert L) |                    | IP20    |

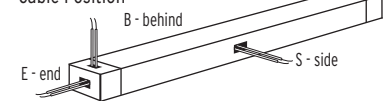
### Example

|          |                 |                |   |   |      |      |
|----------|-----------------|----------------|---|---|------|------|
| VarioLED | Hydra HD15 W830 | 1200 1269 1280 | A | B | 1969 | IP20 |
|----------|-----------------|----------------|---|---|------|------|

### Custom Length (L)



### Cable Position



| Tape Length (x) Chart <sup>C,D</sup> | Min. Tape Length | Max. Tape Length | Tape Increment  |
|--------------------------------------|------------------|------------------|-----------------|
| Luminaris LD                         | 70 mm / 2.76"    | 1970 mm / 77.56" | 70 mm / 2.76"   |
| Luminaris HD                         | 70 mm / 2.76"    | 1970 mm / 77.56" | 70 mm / 2.76"   |
| Hydra LD                             | 125 mm / 4.92"   | 1885 mm / 74.21" | 125 mm / 4.92"  |
| Hydra HD                             | 62.5 mm / 2.46"  | 1947 mm / 76.67" | 62.5 mm / 2.46" |
| Hydra LD Tunable White               | 125 mm / 4.92"   | 1885 mm / 74.21" | 125 mm / 4.92"  |
| Hydra LD RGB                         | 125 mm / 4.92"   | 1885 mm / 74.21" | 125 mm / 4.92"  |
| Hydra HD RGB                         | 62.5 mm / 2.46"  | 1947 mm / 76.67" | 62.5 mm / 2.46" |

<sup>A</sup> Do not need to specify endcaps. Factory assembled fixtures come with endcaps to match the selected optic, cable and connector configurations.

<sup>B</sup> Some cable positions may not be available for certain models. See profile spec sheets for details.

<sup>C</sup> Maximum fixture length is 6.5 ft (2m) for all models.

<sup>D</sup> For custom fixture length, add 5 mm / 0.2" for each endcap thickness and 6 mm / 0.25" for soldering space.