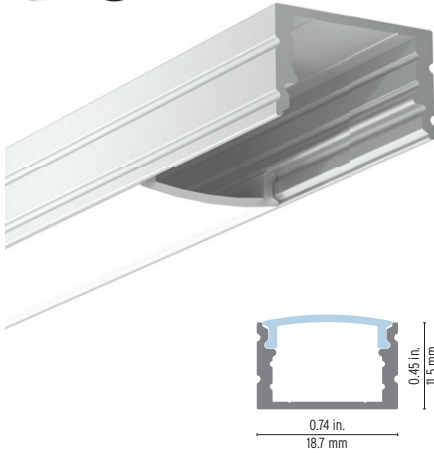


VarioContour 1200 Aluminum Profile



Profile designed to ensure that the LED source is invisible, offering uniform and soft lighting for the eyes. Compact and versatile design.

Features

- Delivered in standard 6.5 ft (2m) length.
- Available as factory assembled complete fixture. See page 3 for details.
- Designed to meet North American woodworking standards.
- Made of ALCOA 6063-T5 aluminum alloy increasing heat dissipation.
- Its use increases the lifetime of your LED strip.
- Compatible with multiple installation accessories.

Project name _____

Fixture type _____ Phase _____

Specifier _____ Date _____



Linear weight:
0.099 lbs/ft (without optic)

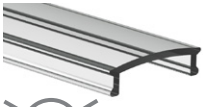
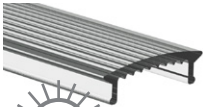


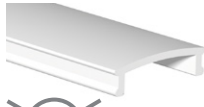
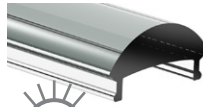
Cable Feed: End (E), Behind (B)
Max 4.7 W/ft

Order Code - Component

Family	Profile	Optic	Endcaps	Mounting
VarioContour				
	<p>1200 Profile 1210</p>	<p>Standard, Clear 1269</p>	<p>Standard 1200 Endcap 1270 ALU, NO HOLE 1273 ALU, HOLE 1278 BLACK, NO HOLE 1279 BLACK, HOLE</p>	<p>Flat clip-in bracket 1280</p>
	<p>1200 Profile Black 1215</p>	<p>Standard, Spread 1265</p>		<p>45° corner bracket 1283</p>
		<p>Standard, Diffuse 1261</p>		<p>Swivel Bracket 180° 1286</p>
		<p>Standard, Opal 1263</p>		
		<p>Standard, Prime 1266</p>		
		<p>Focus 1267</p>	<p>Focus 1200 Endcap 1470 ALU, NO HOLE 1473 ALU, HOLE 1474 BLACK, NO HOLE 1475 BLACK, HOLE</p>	

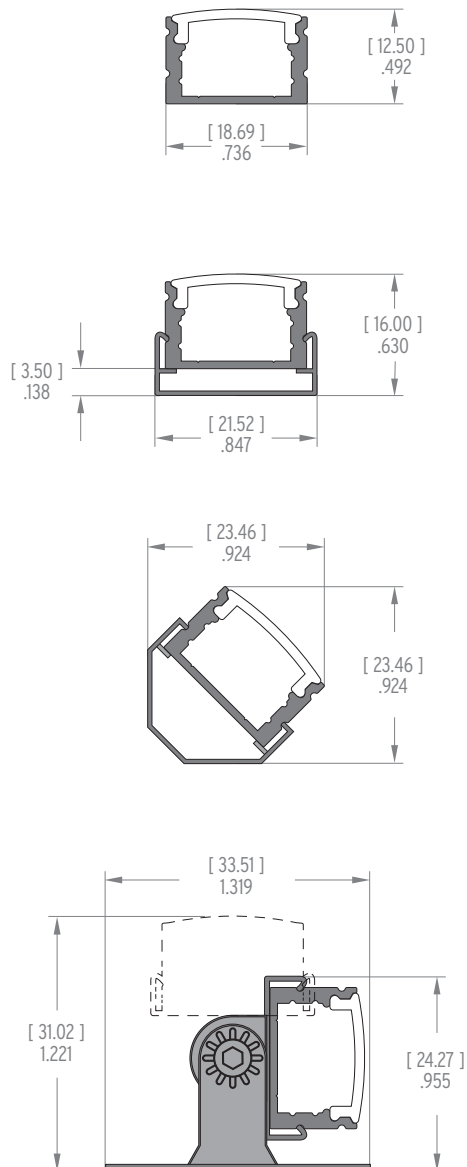
Technical Details

Optics

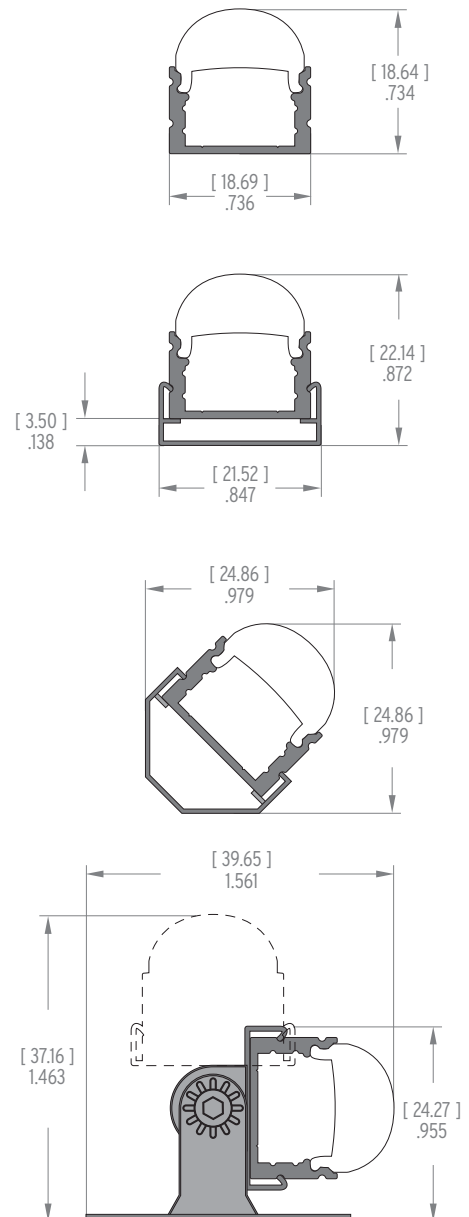
CLEAR	SPREAD	DIFFUSE	OPAL	PRIME	FOCUS
96.5% efficiency	95% efficiency	85% efficiency	50% efficiency	73% efficiency	85% efficiency
					
120°	160°	120°	120°	120°	10-90°
Diffusion 20% CCT decrease 65 K	Diffusion 30% CCT decrease 65 K	Diffusion 80% CCT decrease 130 K	Diffusion 100% CCT decrease 215 K	Diffusion 92% CCT decrease 30 K	Diffusion 30% CCT decrease 65 K

Assembly Dimensions [mm] [in]

WITH STANDARD OPTIC



WITH FOCUS OPTIC



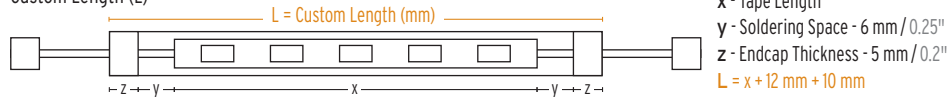
Order Code - Factory Assembled Fixture

Family	LED Tape Order Code	Profile Component Order Code ^A	Cable/Connector	Cable Position ^B	Custom Length (mm)	Ingress
VarioLED	Refer to LED Tape Spec Sheet	Refer to Profile Spec Sheet (Page 1)	A - Female and Male IP20 Connector (4 in) B - Male IP20 Connector on one side (4 in) C - Open end cable lead on both sides (2 ft) D - Open end lead on one side (2 ft)	B - Cables from behind fixture E - Cables from end of fixture	Refer to Custom Tape Length Chart Below (insert L)	IP20

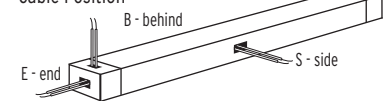
Example

VarioLED	Hydra HD15 W830	1200 1269 1280	A	B	1969	IP20
----------	-----------------	----------------	---	---	------	------

Custom Length (L)



Cable Position



Tape Length (x) Chart ^{C,D}	Min. Tape Length	Max. Tape Length	Tape Increment
Luminaris LD	70 mm / 2.76"	1970 mm / 77.56"	70 mm / 2.76"
Luminaris HD	70 mm / 2.76"	1970 mm / 77.56"	70 mm / 2.76"
Hydra LD	125 mm / 4.92"	1885 mm / 74.21"	125 mm / 4.92"
Hydra HD	62.5 mm / 2.46"	1947 mm / 76.67"	62.5 mm / 2.46"
Hydra LD Tunable White	125 mm / 4.92"	1885 mm / 74.21"	125 mm / 4.92"
Hydra LD RGB	125 mm / 4.92"	1885 mm / 74.21"	125 mm / 4.92"
Hydra HD RGB	62.5 mm / 2.46"	1947 mm / 76.67"	62.5 mm / 2.46"

^A Do not need to specify endcaps. Factory assembled fixtures come with endcaps to match the selected optic, cable and connector configurations.

^B Some cable positions may not be available for certain models. See profile spec sheets for details.

^C Maximum fixture length is 6.5 ft (2m) for all models.

^D For custom fixture length, add 5 mm / 0.2" for each endcap thickness and 6 mm / 0.25" for soldering space.