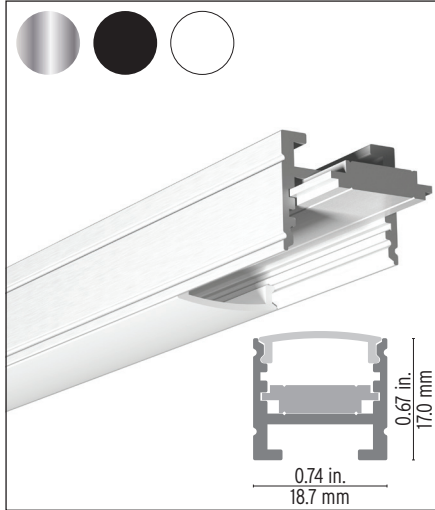


Contour 1400 Aluminum Profile



In addition to offering even lighting, the 1400 allows beam adjustment and large choice of installation options.

Features

- Delivered in standard 6.5 ft (2m) length.
- Aluminum heatsink insert at 2 different heights offers a choice between 3 different beam angles.
- Designed to give a uniform light without hot spots.
- Designed to meet North American woodworking standards.
- Made of ALCOA 6063-T5 aluminum alloy increasing heat dissipation.
- Its use increases the lifetime of your LED strip.
- Compatible with multiple installation accessories.
- Only available in North America.

Project name _____

Fixture type _____ Phase _____

Specifier _____ Date _____



Linear weight:
0.16 lbs/ft (without optic)



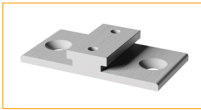


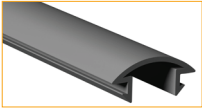
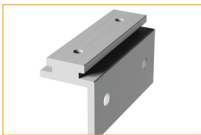


Cable Feed: End (E), Behind (B)
Max 6.3 W/ft (with heatsink insert)

Component Order Code (2 pages)

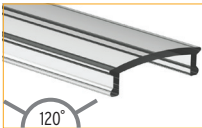
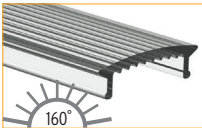
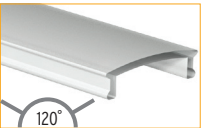
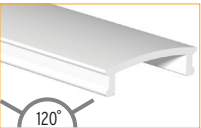
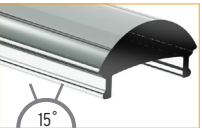
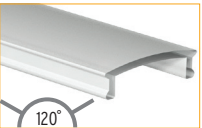
Family	Profile	Optic	Endcaps	Mounting	Accessories
Contour					

*Using this accessory may lead to visible dotting.

See next page →

Family	Profile	Optic	Endcaps	Brackets	Accessories
Contour		 <p>High Opal 1264</p>	 <p>High Endcap 1488 ALU, NO HOLE 1447 ALU, HOLE 1489 BLACK, NO HOLE 1448 BLACK, HOLE 1467 WHITE, NO HOLE 1468 WHITE, HOLE</p>	 <p>Surface 2 side 1318 ALU 1319 BLACK 1317 WHITE</p>	 <p>Vertical. 45°/135° Joiner Type B 1330</p>
				 <p>Surface 1 side 1321 ALU 1322 WHITE 1323 BLACK</p>	 <p>Wire Cover Type B 8099</p>
				 <p>Wall Mounting Clip 1331 ALU 1332 WHITE 1333 BLACK</p>	 <p>Canopy Kit 1.5" stainless steel for coax. wire (suspended) 4075</p>
				 <p>Suspension Kit Type B with 15ft. aircraft cable 1312 ALU 1311 BLACK 1313 WHITE</p>	

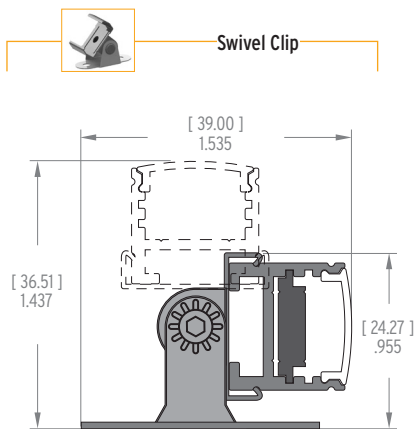
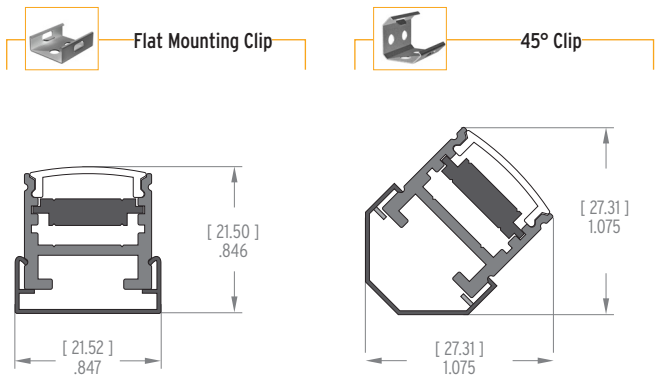
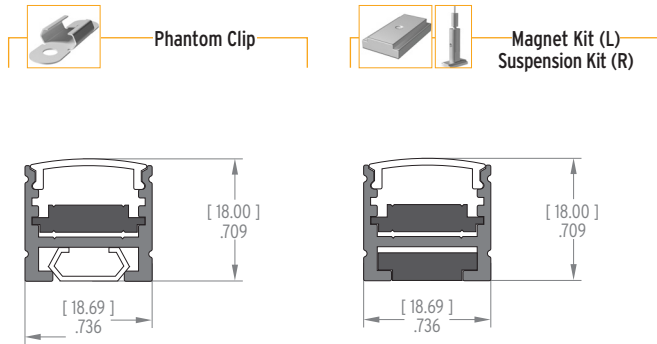
Technical Details

CLEAR	SPREAD	SEMI-OPAL	OPAL	FOCUS	PRIME
96.5% light efficiency	95% light efficiency	85% light efficiency	50% light efficiency	85% light efficiency	85% light efficiency
 <p>120°</p>	 <p>160°</p>	 <p>120°</p>	 <p>120°</p>	 <p>15°</p>	 <p>120°</p>
<p>Visible dotting CCT decrease 65 K</p> <p>This basic lens protects your tape and maximizes light output.</p>	<p>Visible dotting CCT decrease 65 K</p> <p>With its integrated prismatic grooves this lens scatters the light and increases the beam spread to better light nearby objects.</p>	<p>Slight Visible dotting CCT decrease 130 K</p> <p>This lens reduces glare and softens light cut-off while maintaining high brightness.</p>	<p>Dot free CCT decrease 215 K</p> <p>This lens provides dot free illumination and a homogenous line of light.</p>	<p>Visible dotting CCT decrease 65 K</p> <p>A converging lens that shapes the beam spread for targeted and focused lighting.</p>	<p>Dot free CCT decrease 130 K</p> <p>This lens reduces glare and softens light cut-off while maintaining high brightness.</p>

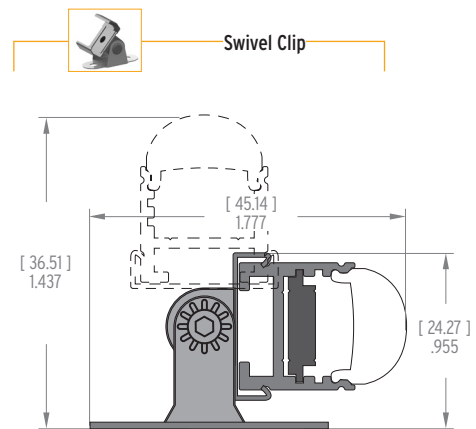
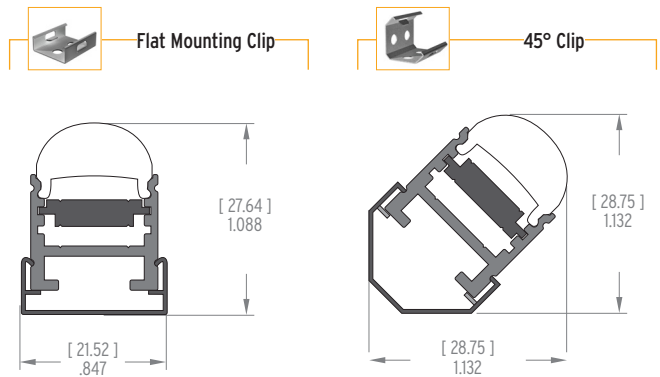
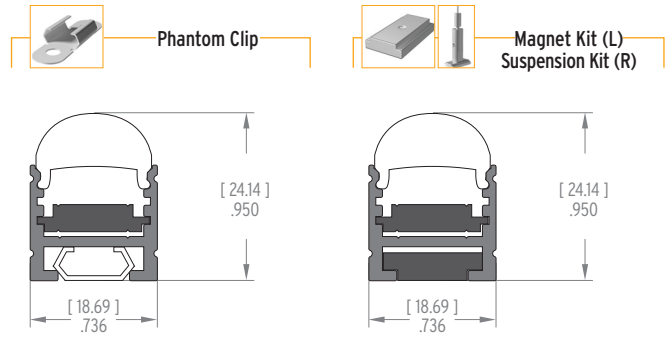
Technical Details

Mounting Dimensions [mm] in

STANDARD LENS



FOCUS LENS



Heatsink insert positions

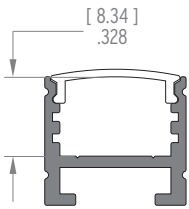
Distance between LED light source and optic [mm]
in



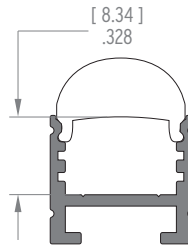
Using this accessory may lead to visible dotting.

STANDARD LENS

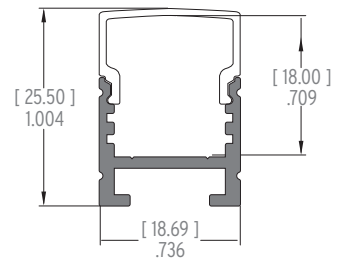
1. No heatsink



FOCUS LENS

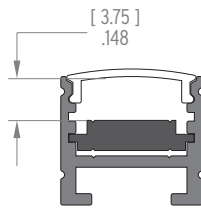
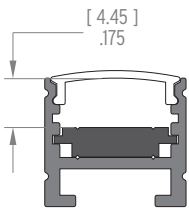


HIGH LENS

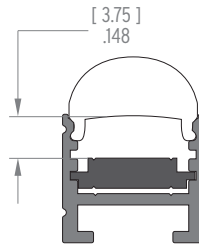
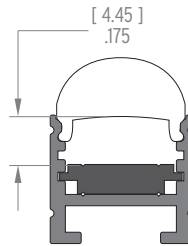


STANDARD LENS

2. Heatsink in the lower slot

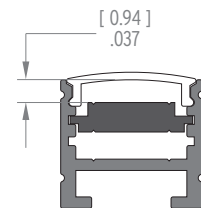
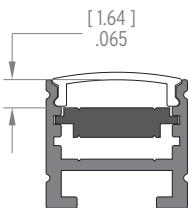


FOCUS LENS

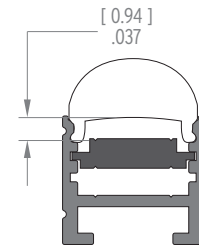
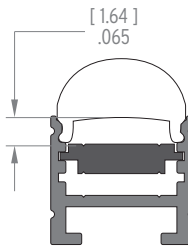


STANDARD LENS

3. Heatsink in the upper slot



FOCUS LENS



LED FLEX TAPE COMPATIBILITY CHART

✓ Compatible

⊙ Dot free with Opal/Prime Lenses

LED Tape Family	LED Tape Type	Models ¹	LED Tape Step Length	Contour 1400 Compatibility
LUMINARIS	Static White	Luminaris LD05 (1.7w/ft, 152lm/ft)	2.76"/70mm	✓
		Luminaris LD10 (2.6w/ft, 311lm/ft)	2.76"/70mm	✓
		Luminaris LD15 (4.7w/ft, 463lm/ft)	2.76"/70mm	✓
		Luminaris LD22 (6.3w/ft, 659lm/ft)	2.76"/70mm	✓ ²
		Luminaris HD05 (1.6w/ft, 201lm/ft)	2.76"/70mm	⊙
		Luminaris HD10 (2.6w/ft, 320lm/ft)	2.76"/70mm	⊙
		Luminaris HD15 (4.7w/ft, 552lm/ft)	2.76"/70mm	⊙
HYDRA	Static White	Hydra LD05 (1.5w/ft, 145lm/ft)	4.92"/125mm	✓
		Hydra LD10 (3.1w/ft, 359lm/ft)	4.92"/125mm	✓
		Hydra LD15 (4.6w/ft, 575lm/ft)	4.92"/125mm	✓
		Hydra LD25 (7.6w/ft, 935lm/ft)	4.92"/125mm	
		Hydra LD40 (12w/ft, 1212lm/ft)	4.92"/125mm	
		Hydra HD06 (1.8w/ft, 173lm/ft)	2.46"/62.5mm	⊙
		Hydra HD10 (3.1w/ft, 289lm/ft)	2.46"/62.5mm	⊙
		Hydra HD15 (4.6w/ft, 575lm/ft)	2.46"/62.5mm	⊙
		Hydra HD25 (7.6w/ft, 935lm/ft)	2.46"/62.5mm	
		Hydra HD36 (11w/ft, 1365lm/ft)	2.46"/62.5mm	
	Tunable White	Hydra Tunable LD25 (7.6w/ft, 503lm/ft)	4.92"/125mm	
	RGB	Hydra RGB LD15 (4.6w/ft, 127lm/ft)	4.92"/125mm	✓
		Hydra RGB HD10 (3.4w/ft, 102lm/ft)	2.46"/62.5mm	⊙
Hydra RGB HD20 (6.7w/ft, 191lm/ft)		2.46"/62.5mm	⊙ ²	
NEXUS	Static White	Nexus HD06 (1.8w/ft, 160lm/ft)	2.46"/62.5mm	⊙
		Nexus HD10 (2.9w/ft, 260lm/ft)	2.46"/62.5mm	⊙
		Nexus HD15 (4.7w/ft, 420lm/ft)	2.46"/62.5mm	⊙
		Nexus HD25 (7.6w/ft, 690lm/ft)	2.46"/62.5mm	
		Nexus HD40 (12.2w/ft, 1120lm/ft)	2.46"/62.5mm	
		Nexus UHD15 (4.6w/ft, 410lm/ft)	1.64"/41.7mm	⊙
	Tunable White	Nexus Tunable HD12 (3.9w/ft, 190lm/ft)	2.46"/62.5mm	⊙
		Nexus Tunable HD24 (7.3w/ft, 410lm/ft)	2.46"/62.5mm	
		Nexus Tunable HD42 (12.8w/ft, 770lm/ft)	2.46"/62.5mm	
		SOL	Static White	Sol LD15 (4.7w/ft, 480lm/ft)
Sol LD25 (7.6w/ft, 780lm/ft)	4.92"/125mm			
Sol HD15 (4.7w/ft, 480lm/ft)	2.46"/62.5mm			⊙
Sol HD25 (7.6w/ft, 780lm/ft)	2.46"/62.5mm			
Sol HD36 (11w/ft, 1160lm/ft)	2.46"/62.5mm			
Tunable White	Sol Tunable LD20 (6w/ft, 410lm/ft)	9.84"/250mm	✓ ²	
STATIC COLOR	Static Color	Static Color HD (3.1w/ft, 300lm/ft)	2.76"/70mm	⊙

1) Lumen values reflect measurements of LED tape at 3000K. Tunable White, RGB and Static Color represent the highest possible lumen output.

2) Compatible when used with heatsink insert accessory.

Click for more information

LED FLEX TAPE

PROFILES & OPTICS

DRIVERS & CONTROLLERS