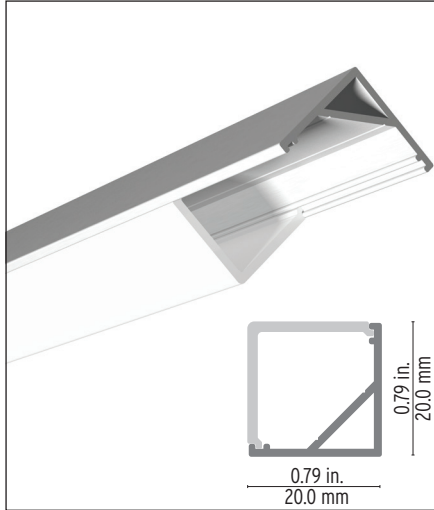


Contour 2000 Aluminum Profile



Offering lighting without hot spots at a 45-degree angle from a corner, the 2000 excels at maximizing appeal of the products in displays, while maintaining a minimalist style.

Features

- Delivered in standard 6.5 ft (2m) length.
- Offers lighting with a beam oriented at 45 degrees.
- Designed to give a uniform light with an opal square optic.
- Made of ALCOA 6063-T5 aluminum alloy increasing heat dissipation.
- Its use increases the lifetime of your LED strip.
- Only available in North America.

Project name _____

Fixture type _____ Phase _____

Specifier _____ Date _____



Linear weight:
0.12 lbs/ft (without optic)

Cable Feed: End (E)
Max 4.7 W/ft

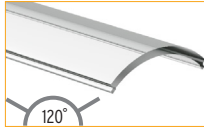
Component Order Code

Family	Profile	Optic	Endcaps	Mounting
Contour	2000			

Technical Details

ROUND CLEAR

96.5% light efficiency

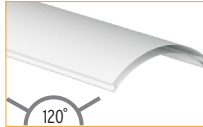


Visible dotting
CCT decrease 65 K

This basic lens protects your tape and maximizes light output.

ROUND SEMI-OPAL

85% light efficiency

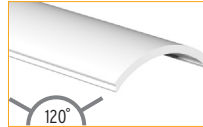


Slight visible dotting
CCT decrease 130 K

This lens reduces glare and softens light cut-off while maintaining high brightness.

ROUND OPAL

50% light efficiency

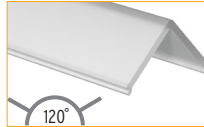


Dot free
CCT decrease 215 K

This lens allows dot free illumination and a homogenous line of light.

SQUARE SEMI-OPAL

85% light efficiency

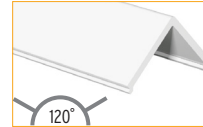


Slight visible dotting
CCT decrease 130 K

This lens reduces glare and softens light cut-off while maintaining high brightness.

SQUARE OPAL

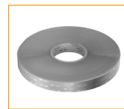
50% light efficiency



Dot free
CCT decrease 215 K

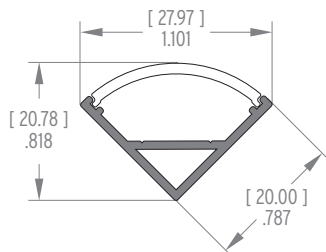
This lens allows dot free illumination and a homogenous line of light.

Mounting Dimensions [mm] in

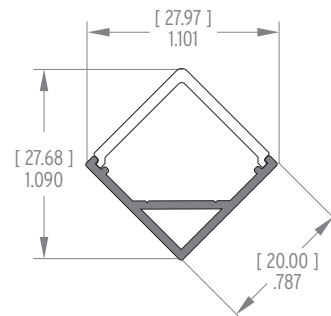


Adhesive Tape

ROUND LENS

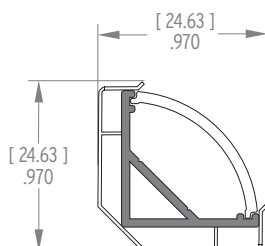


SQUARE LENS

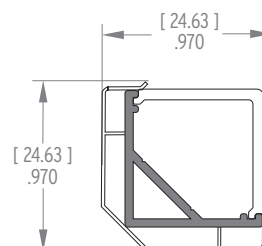


Surface Mount Clip

ROUND LENS



SQUARE LENS



LED FLEX TAPE COMPATIBILITY CHART

✓ Compatible

☑ Dot free with Opal/Prime Lenses

LED Tape Family	LED Tape Type	Models ¹	LED Tape Step Length	Contour 2000 Compatibility
LUMINARIS	Static White	Luminaris LD05 (1.7w/ft, 152lm/ft)	2.76"/70mm	✓
		Luminaris LD10 (2.6w/ft, 311lm/ft)	2.76"/70mm	✓
		Luminaris LD15 (4.7w/ft, 463lm/ft)	2.76"/70mm	✓
		Luminaris LD22 (6.3w/ft, 659lm/ft)	2.76"/70mm	
		Luminaris HD05 (1.6w/ft, 201lm/ft)	2.76"/70mm	☑
		Luminaris HD10 (2.6w/ft, 320lm/ft)	2.76"/70mm	☑
		Luminaris HD15 (4.7w/ft, 552lm/ft)	2.76"/70mm	☑
HYDRA	Static White	Hydra LD05 (1.5w/ft, 145lm/ft)	4.92"/125mm	✓
		Hydra LD10 (3.1w/ft, 359lm/ft)	4.92"/125mm	✓
		Hydra LD15 (4.6w/ft, 575lm/ft)	4.92"/125mm	✓
		Hydra LD25 (7.6w/ft, 935lm/ft)	4.92"/125mm	
		Hydra LD40 (12w/ft, 1212lm/ft)	4.92"/125mm	
		Hydra HD06 (1.8w/ft, 173lm/ft)	2.46"/62.5mm	☑
		Hydra HD10 (3.1w/ft, 289lm/ft)	2.46"/62.5mm	☑
		Hydra HD15 (4.6w/ft, 575lm/ft)	2.46"/62.5mm	☑
		Hydra HD25 (7.6w/ft, 935lm/ft)	2.46"/62.5mm	
		Hydra HD36 (11w/ft, 1365lm/ft)	2.46"/62.5mm	
	Tunable White	Hydra Tunable LD25 (7.6w/ft, 503lm/ft)	4.92"/125mm	
	RGB	Hydra RGB LD15 (4.6w/ft, 127lm/ft)	4.92"/125mm	✓
		Hydra RGB HD10 (3.4w/ft, 102lm/ft)	2.46"/62.5mm	☑
Hydra RGB HD20 (6.7w/ft, 191lm/ft)		2.46"/62.5mm		
NEXUS	Static White	Nexus HD06 (1.8w/ft, 160lm/ft)	2.46"/62.5mm	☑
		Nexus HD10 (2.9w/ft, 260lm/ft)	2.46"/62.5mm	☑
		Nexus HD15 (4.7w/ft, 420lm/ft)	2.46"/62.5mm	☑
		Nexus HD25 (7.6w/ft, 690lm/ft)	2.46"/62.5mm	
		Nexus HD40 (12.2w/ft, 1120lm/ft)	2.46"/62.5mm	
		Nexus UHD15 (4.6w/ft, 410lm/ft)	1.64"/41.7mm	☑
	Tunable White	Nexus UHD25 (7.6w/ft, 680lm/ft)	1.64"/41.7mm	
		Nexus Tunable HD12 (3.9w/ft, 190lm/ft)	2.46"/62.5mm	☑
		Nexus Tunable HD24 (7.3w/ft, 410lm/ft)	2.46"/62.5mm	
		Nexus Tunable HD42 (12.8w/ft, 770lm/ft)	2.46"/62.5mm	
SOL	Static White	Sol LD15 (4.7w/ft, 480lm/ft)	4.92"/125mm	✓
		Sol LD25 (7.6w/ft, 780lm/ft)	4.92"/125mm	
		Sol HD15 (4.7w/ft, 480lm/ft)	2.46"/62.5mm	☑
		Sol HD25 (7.6w/ft, 780lm/ft)	2.46"/62.5mm	
		Sol HD36 (11w/ft, 1160lm/ft)	2.46"/62.5mm	
Tunable White	Sol Tunable LD20 (6w/ft, 410lm/ft)	9.84"/250mm		
STATIC COLOR	Static Color	Static Color HD (3.1w/ft, 300lm/ft)	2.76"/70mm	☑

1) Lumen values reflect measurements of LED tape at 3000K. Tunable White, RGB and Static Color represent the highest possible lumen output.

Click for more information

LED FLEX TAPE

PROFILES & OPTICS

DRIVERS & CONTROLLERS