

# CONSTANT VOLTAGE Non-Dimmable Led Driver

MODEL: D-REM-096W-NDM-UNV-IP65



Constant Voltage Class 2 LED Drivers from LED Linear offer a UL Listed style enclosure style enclosure that has a built-in junction box on both the input and output. These drivers are IP65 rated and are suitable for both indoor and outdoor installations. With universal input voltage ranging from 120 to 277VAC, this series of drivers are designed for commercial, industrial and residential applications.

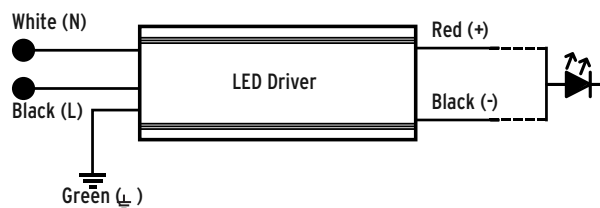
## Quick Specs

| Input Voltage | Max Output Power | Output Voltage | Output Current | Efficiency @ Max Load | THD @ Max Load | Power Factor @ Max Load | Envir. Protection Rating |
|---------------|------------------|----------------|----------------|-----------------------|----------------|-------------------------|--------------------------|
| 120-277VAC    | 96W              | 24VDC          | 4100mA         | > 87%                 | < 20%          | > 0.9                   | IP65                     |

## Features

- UL Listed Enclosure - With Built-In Junction Boxes
- Universal Input Voltage
- Ripple Free
- IP65 - For Both Indoor and Outdoor Use
- No Minimum Load Requirement
- UL 8750 Approved
- Class 2, Class P
- Auto-Reset Protection for Short Circuit & Over-Temperature
- Over Load Protection - CC Mode

## Wiring Diagram

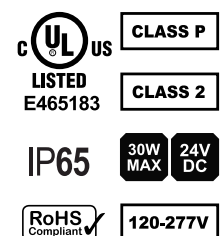


## Technical Details - Constant Voltage LED Drivers

|                             |                               |   |
|-----------------------------|-------------------------------|---|
| Input                       | Input Voltage Range           | 120 - 277VAC ± 10%                                  |
|                             | Input Frequency               | 50 / 60Hz   |
|                             | Input current                 | 0.96A Max   |
|                             | Inrush Current                | 5A Max @ 120V / 30A Max @ 277V Complies to NEMA 410 |
|                             | Efficiency                    | > 87% Max   |
|                             | Power Factor                  | > 0.95  |
|                             | THD                           | < 20%   |
|                             | Output                        | Output Voltage                                      |
| Output Current              |                               | 4100mA Max  |
| Output Ripple               |                               | > 3%  |
| Line Regulation             |                               | > 2%  |
| Load Regulation             |                               | > 3%  |
| Turn On Delay Time          |                               | > 0.3 Sec   |
| Environmental Specification |                               | Env. Protection Rating                              |
|                             | Operating Ambient temperature | -25°C - +40°C                                       |
|                             | Max Case Temp. (Tcase)        | 80°C  |
|                             | Storage temperature           | -40°C - +85°C                                       |
|                             | Expected life time            | 50K Hours (> 65°C) Tc                               |
|                             | Audible Noise                 | > 24db Class A                                      |
| Protections Specification   | Over Current Protection       | Yes   |
|                             | Over Voltage Protection       | Yes   |
|                             | Over Temperature Protection   | Yes; Hiccup mode                                    |
|                             | Over Load Protection          | Yes; Current limit                                  |
|                             | Short Circuit Protection      | Yes; Current limit                                  |

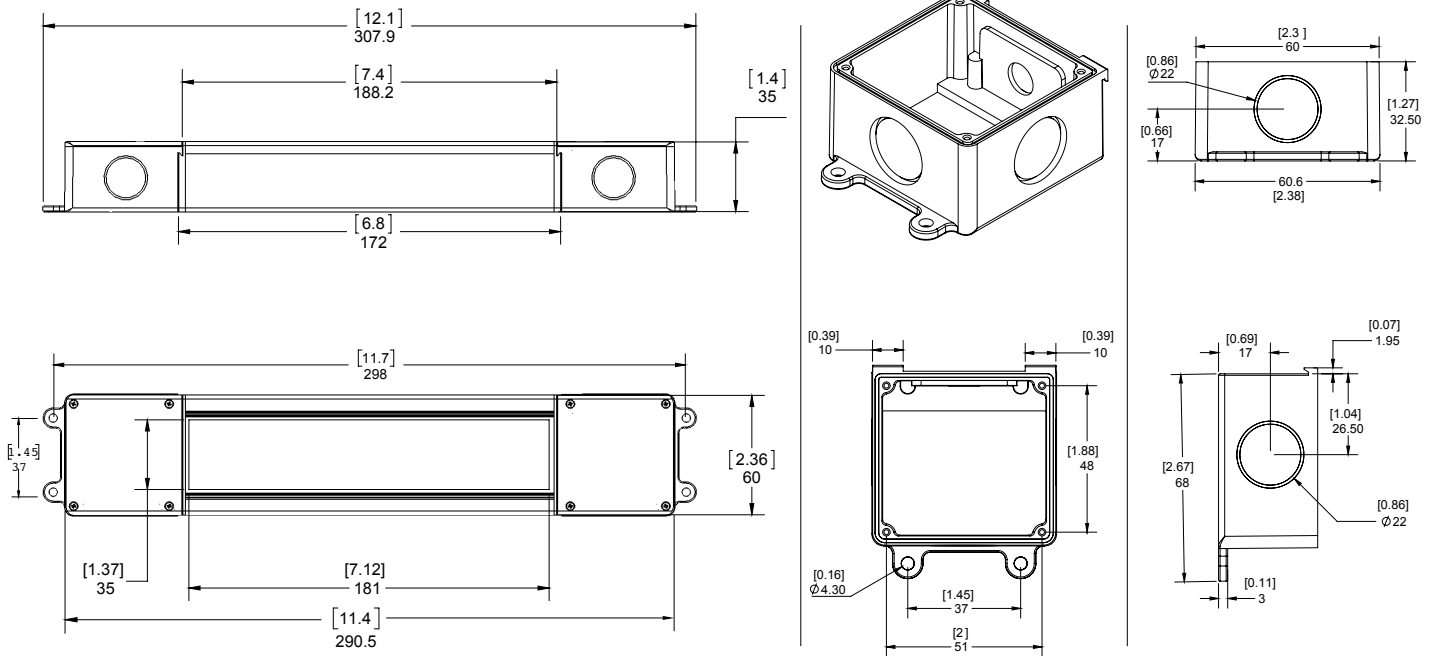
## Enclosure Details (mm)

|                 |                   |
|-----------------|-------------------|
| Length          | 11.4 (290.5)      |
| Mounting Length | 12.1 (307.9)      |
| Width           | 2.36 (59.9)       |
| Height          | 1.4 (35)          |
| Driver Weight   | 30.95oz (878gram) |

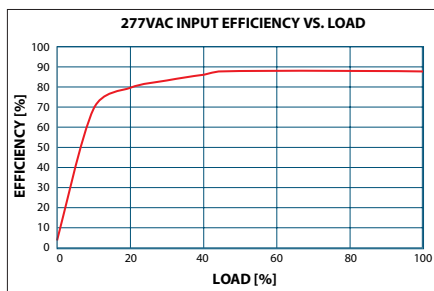
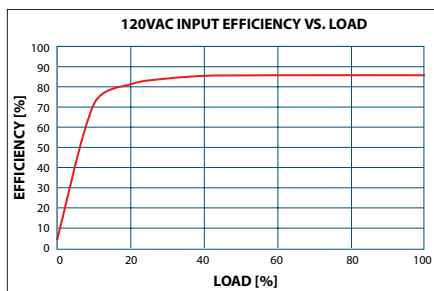


MODEL: D-REM-096W-NDM-UNV-IP65

## Mechanical Details



## Efficiency vs Load



## Flicker Performance

The IEEE P1789 flicker test results are presented with no observable effect (in green) low-risk (in yellow) and high risk (in red).

