

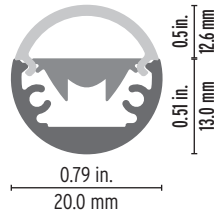
Pendant/SurfaceMount Round - RGBW Assembled Fixture



Round fixture designed for a variety of linear LED lighting needs. The fixture fits where smaller installation heights are required. High light extraction efficacy and superior light quality.

Features

- Designed to give a uniform light without hot spots.
- Compatible with multiple installation accessories.
- Various linear lens options for different lighting requirements.



Project name _____

Fixture type _____ Phase _____

Specifier _____ Date _____



Cable Feed: Behind (B)
Max 7.6 W/ft

Order Code

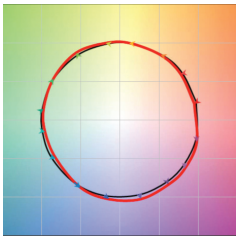
Family	LED Tape	CRI	CCT	Finish	Optic	Cable / Connector ³	Cable Position	Mounting ²	Fixture length (mm)	Ingress
VarioLED 0024	_____	W_	__		__	__	__	__	_____	IP20
Pendant/Surface Round	RGBW HD20-6.1 w/ft, 280 lm/ft	W9 95CRI	30 3000K	S Silver	RO Round Opal	OB Open Cable both sides [6']	B Behind	PMK Pendant Mounting Kit	Refer to length chart on page 3	IP20
			40 4000K	B Black	LO Low Opal	OS Open Cable one side only [6']		PCK ⁴ Pendant Canopy Kit		
					10L 10° Linear Flat Lens			SMC Surface Mounting Clip		
					30L 30° Linear Flat Lens			VMC Vertical Mounting Clip		
					60L 60° Linear Flat Lens					

¹ Delivered Lumens @3000K with Clear Optic. ² See Components spec sheet for details. ³ 5 x 32 AWG cables are supplied. ⁴ Order with Pendant Mounting Kit for live electrical feeds.

LED Tape Specifications

Color vector graphic

Color distortion graphic



— Reference illuminant — Test source @ 4000K

- R_r 91
- R_g 101
- CRI 95
- R9 77

3000 4000 Kelvin

HD - High density / 13.8 mm LED pitch



L80/B10 > 60,000 h W_{xxx}/339

HD20					HD20		
		CCT	Lumen/ft ⁴	W/ft ⁸	Power (W/ft) ^A	6.1	
RGBW	●	W930	3,000 K	290	6.1		
	●	W940	4,000 K	300	6.1		
	●	RGB Red	622 nm	30	-	Efficacy (lm / W) ^A @ W850	73
	●	RGB Green	532 nm	110	-	Reel length (ft / m)	13.1 / 4
	●	RGB Blue	466 nm	20	-	Watt / Reel (W) ^A	80
	●●●	RGB total	-	160	-	Number LED/Reel	576
					Max ambient temperature (T _{a,max})	104°F / 40°C	

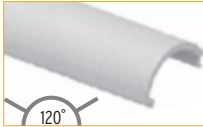
^A Lumen values represent bare LED tape. Refer to page 2 to calculate delivered fixture lumens by using the light efficiency percentages.

^B The given data are typical values. Due to tolerances of the production process and the electrical components, values for light output and electrical power can vary up to 10%.

Contour - Technical Details

ROUND OPAL

55% light efficiency



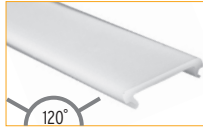
Dot free

5% warmer CCT offset

This lens provides a homogenous line of light.

LOW OPAL

50% light efficiency



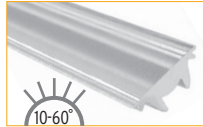
Dot free

5% warmer CCT offset

This lens provides a homogenous line of light.

LINEAR FLAT LENS

80% light efficiency



Visible Dotting

2% warmer CCT offset

A converging lens that shapes the beam spread for targeted and focused lighting.

Clear and Semi-Opal are 95% and 80% efficient respectively. They exhibit visible dotting effect.

Mounting Dimensions

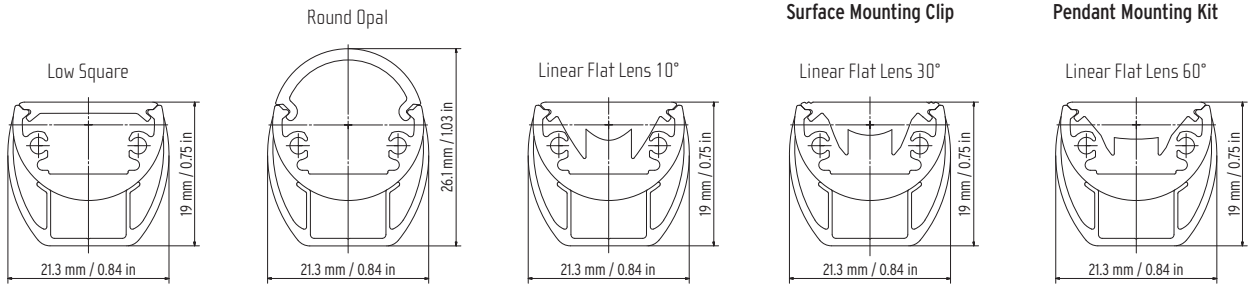
Fixture with Surface Mounting Clip / Pendant Mounting Kit



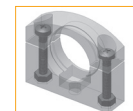
SMC
Surface Mounting Clip



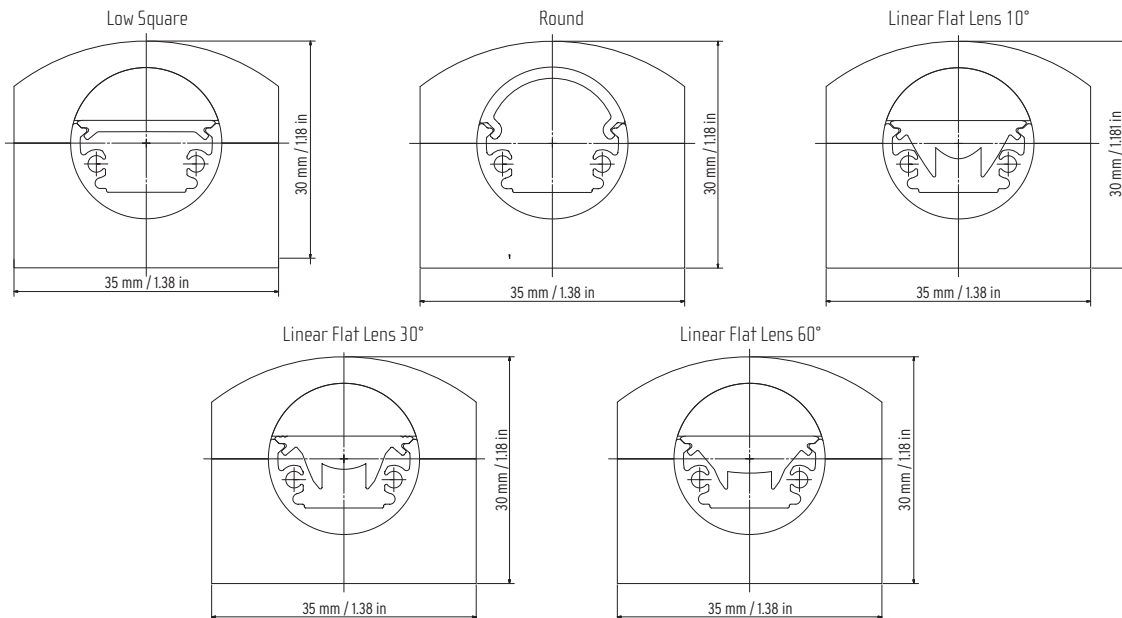
PMK
Pendant Mounting Kit



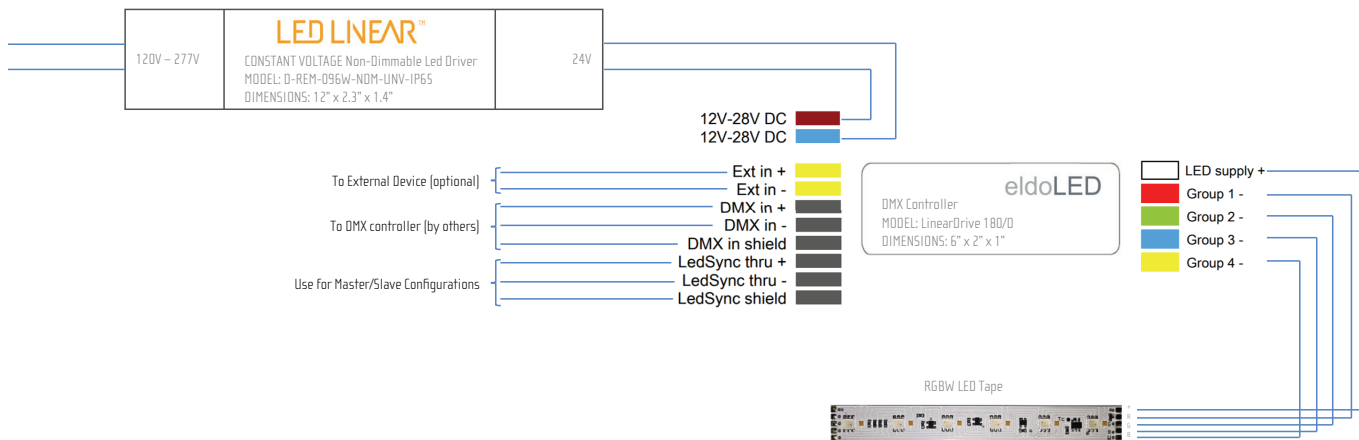
Fixture with Vertical Mounting Clip



VMC
Vertical Mounting Clip



RGBW Wiring Diagram





LENGTH CHART

Fixture length		HD20 4.6 Watts/Ft	
inches	mm	Watts/fixture	Lumens/fixture @3000K
4.1	103	2.1	95
7.3	187	3.7	171
10.6	270	5.4	248
13.9	353	7.1	324
17.2	437	8.7	401
20.5	520	10.4	478
23.8	603	12.1	554
27.0	687	13.7	631
30.3	770	15.4	707
33.6	853	17.1	784
36.9	937	18.7	860
40.2	1020	20.4	937
43.4	1103	22.1	1013
46.7	1187	23.7	1090
50.0	1270	25.4	1166
53.3	1353	27.1	1243
56.6	1437	28.7	1319
59.8	1520	30.4	1396
63.1	1603	32.1	1472
66.4	1687	33.7	1549
69.7	1770	35.4	1626
73.0	1853	37.1	1702
76.2	1937	38.7	1779



Mounting Accessory

Item	Description	Models	Order Code
 Pendant Canopy Kit 4	Pendant canopy kit including 5" round metal canopy, J-box mounting cross bar, silver cable grippers and mounting screws. Covers standard junction boxes and recommended to use for every live electrical feed.	White Canopy Finish Silver Hardware	Canopy Kit 4

Compatible Drivers

Item	Specifications	Downloads
<p>LED LINEAR™ Non-Dimmable Drivers</p> 	<ul style="list-style-type: none"> • UL 8750 Listed Enclosure - With Built-In Junction Boxes • Universal Input Voltage 120V - 277V • IP65 - For Both Indoor and Outdoor Use • No Minimum Load Requirement • 24V Constant Voltage Output, Class 2 • Available in three wattages 30W, 60W and 96W • Max. Dimensions: 12-1/8" x 2-3/8" x 1-3/8" 	<p>30 W SPEC SHEET</p> <p>60 W SPEC SHEET</p> <p>96 W SPEC SHEET</p> <p>INSTALLATION INSTRUCTIONS</p>
<p>eldoLED DALI/DMX Dimmable Drivers</p> 	<ul style="list-style-type: none"> • Available in linear or rectangular format • 100W, DMX/DALI interface for Static White, Tunable White and RGB/W Applications • 4 control channels • 24V constant voltage, 4 x 24V outputs • Metal or plastic case options 	<p>100 W SPEC SHEET</p> <p>INSTALLATION INSTRUCTIONS</p>

Controllers

Item	Specifications	Downloads
<p>eldoLED Controllers</p>  	<p>180/D DMX Controller for RGB/W and Tunable White Applications</p> <p>DimWheel DMX Wall Controller for RGB/W and Tunable White Applications</p>	<p>180/D SPEC SHEET</p> <p>DIM WHEEL SPEC SHEET</p>

Click for more information

VOLTAGE DROP CALCULATOR

INSTALLATION

LED LINEAR TECHNOLOGY