

INSTALLATION INSTRUCTIONS

MODELS: VarioContour 4500 Aluminum Profile

LED LINEAR™
lighting solutions

ATTENTION

Please read all safety and assembly instructions prior to installation and keep for future reference.

1. Product should be installed by a qualified electrician with regards to all applicable electrical and safety standards.
2. Ensure power is shut off at the electrical panel prior to installation in order to prevent electrical shock.
3. Use only with SELV (Safety Extra Low Voltage)/Class 2 power supplies.
4. Suitable for installation in Dry Locations.
5. Avoid looking directly into the light source during operation - glare hazard.
6. Do not store packed units over 70° F and over 50% humidity more than 12 months.

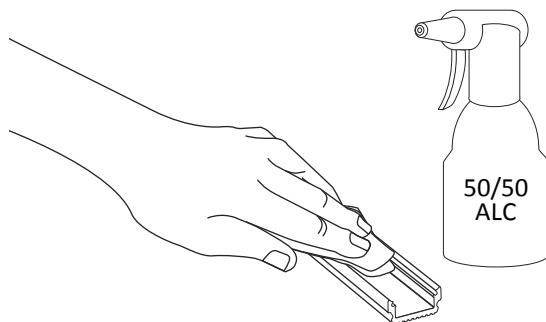


NOTE

Prior to installation, always test the LED tape with a suitable power supply in order to confirm operation and that the factory connections are secure. LED Linear only honors warranty for supplied material and is not liable for installation errors.

ALUMINUM PROFILE INSTALLATION

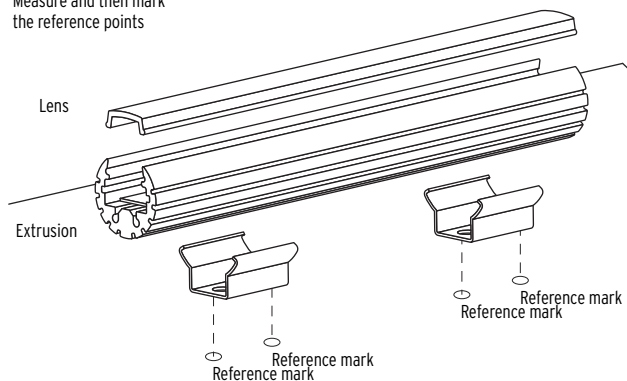
1 Preparing the Surface



Thoroughly clean the area where tape lights will be installed. Using a 50/50 alcohol mix, clean the area where LEDs will be applied and allow time for alcohol to dry for 5 minutes.

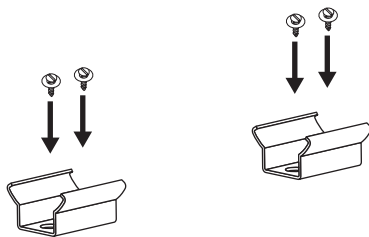
2 Measuring

Measure and then mark the reference points



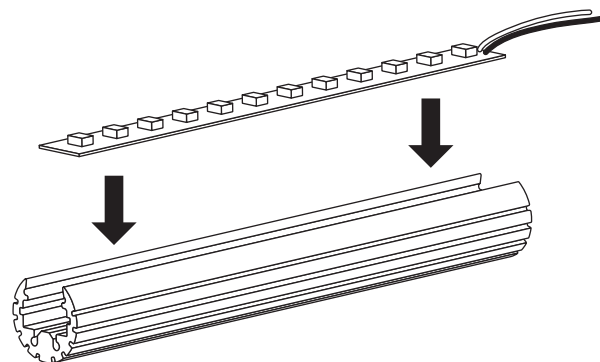
Align the mounting channel to the determined location. Mark reference points to install to the surface. The location of the power supply or wiring box should be determined prior to installation.

3 Brackets



Screw the brackets to the desired surface.

4 LED Strip



Press and glue the LED strip tape into the profile. Will accept 14 mm wide strip maximum.

INSTALLATION INSTRUCTIONS

MODELS: VarioContour 4500 Aluminum Profile

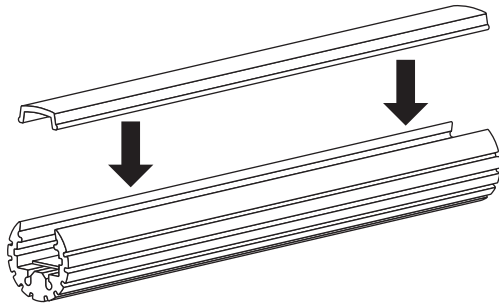
LED LINEAR™
lighting solutions

ATTENTION

Please read all safety and assembly instructions prior to installation and keep for future reference.

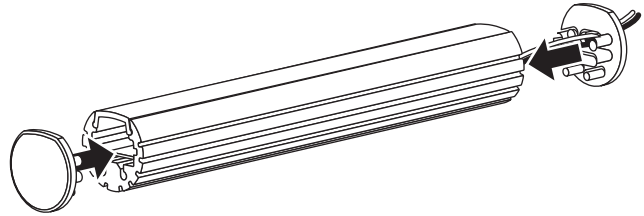


5 Lens



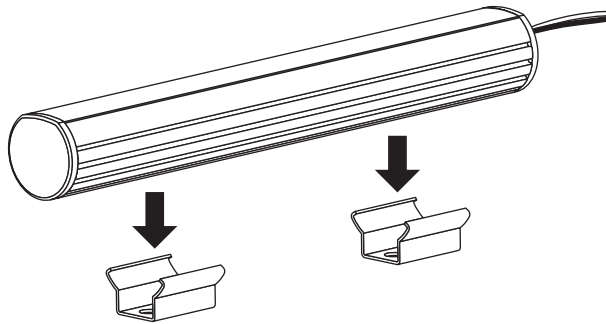
Clip the lens into place.

6 Endcaps



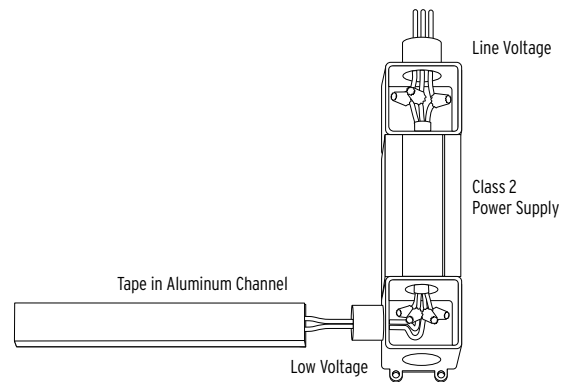
Feed the lead wires through the endcap. Apply glue to the inner part of the endcaps. Slide and press the endcaps into place.

7 Profile



Clip the profiled bar into the brackets. You can position the bar at different angles by using the guides all around it.

8 Powering



Ensure the correct (wattage & voltage) power supply is used to power the tape. Then proceed to connect low voltage wires from extrusion to power supply. For more information please refer to power supply and LED tape wiring instructions.

INSTALLATION INSTRUCTIONS

MODELS: VarioContour 4500 Aluminum Profile

LED LINEAR™
lighting solutions

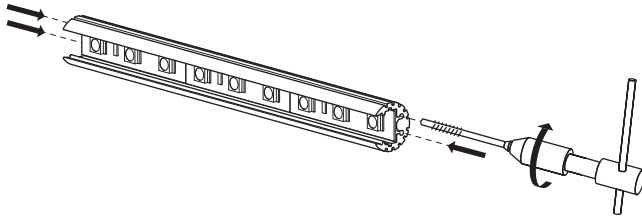
ATTENTION

Please read all safety and assembly instructions prior to installation and keep for future reference.



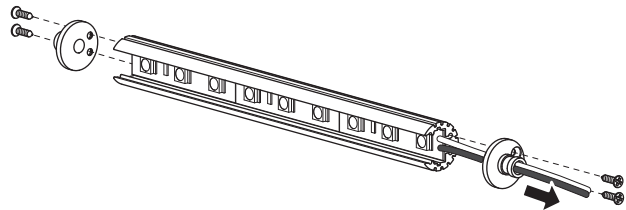
P BRACKET INSTALLATION

1



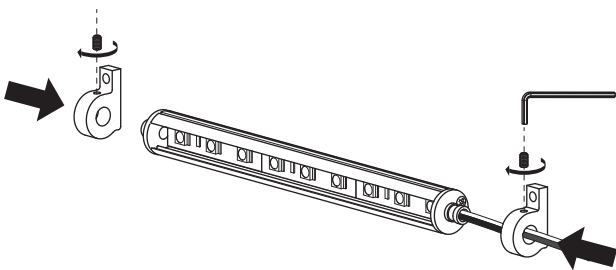
Tap the mounting holes on the LED profile.

2



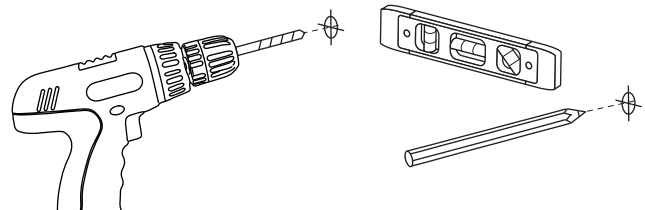
Pass the LED profile's electrical wire through the swivel coaxial endcap. Secure the swivel endcaps onto the profile using M2 screws.

3



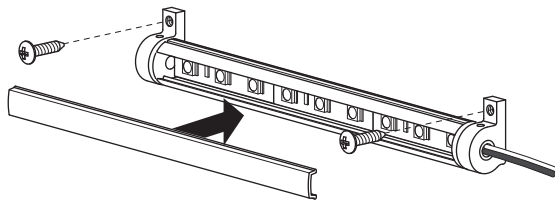
Pass the swivel endcaps into the P-brackets and secure using the M2 set screws.

4



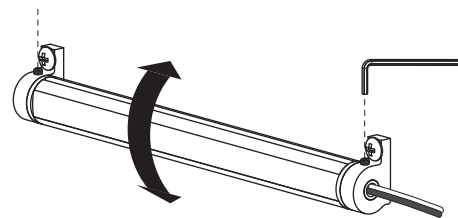
Choose and mark the installation location. If needed, pre-drill holes and install appropriate anchors (non included).

5



Install the fixture at the chosen location using M4 screws. Clip the lens in place.

6



Loosen the hex set screws, adjust the beam orientation, then re-tighten.

INSTALLATION INSTRUCTIONS

MODELS: VarioContour 4500 Aluminum Profile

LED LINEAR™
lighting solutions

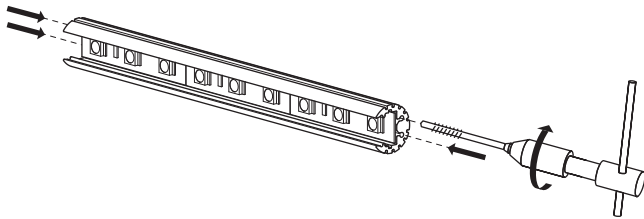
ATTENTION

Please read all safety and assembly instructions prior to installation and keep for future reference.



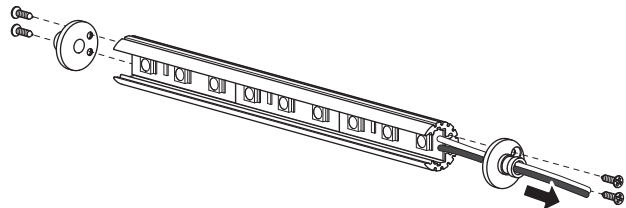
SUSPENSION KIT INSTALLATION

1



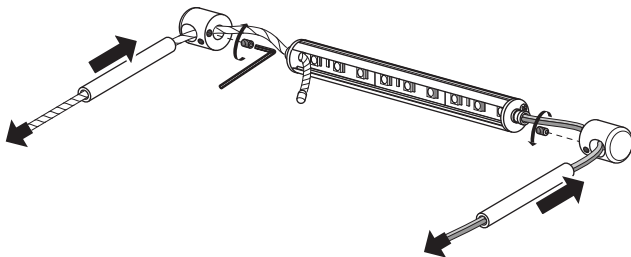
Tap the mounting holes on the LED profile.

2



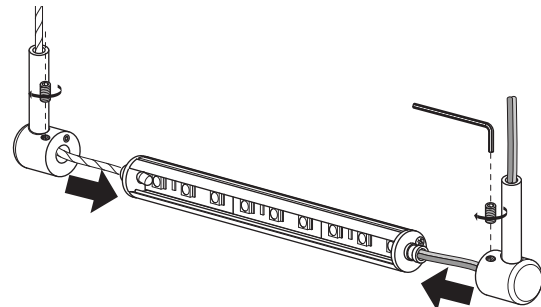
Pass the LED profile's electrical wire through the swivel coaxial endcap. Secure the swivel endcaps onto the profile using M2 screws.

3



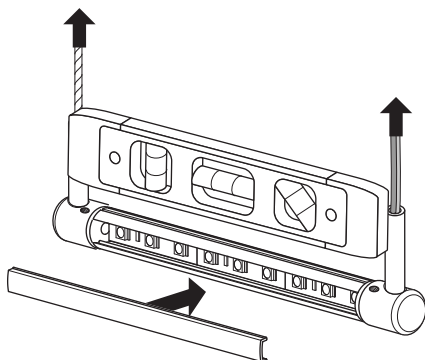
Pass the cables into the 90-degree endcap bracket, then into the arm tubes. Push the arm tubes all the way into the 90-degree brackets and secure using the M3x4mm hex set screws in the inner hole.

4



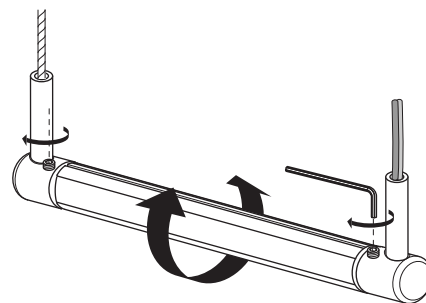
Insert the swivel endcaps into the 90-degree bracket endcaps, exercising care with the cables. Secure using the M3x6mm hex set screws in the outer holes.

5



Suspend at the chosen location using appropriate ceiling hardware (not included in kit), clip the lens into place.

6



Loosen the outer M3x6mm hex set screws on the 90-degree bracket endcaps, adjust the beam orientation as desired, then re-tighten.