

INSTALLATION INSTRUCTIONS

MODELS: VarioContour 0002/0005/0013/0016/0022

LED LINEAR™
lighting solutions

ATTENTION

Please read all safety and assembly instructions prior to installation and keep for future reference.

1. Product should be installed by a qualified electrician with regards to all applicable electrical and safety standards.
2. Ensure power is shut off at the electrical panel prior to installation in order to prevent electrical shock.
3. Use only with SELV (Safety Extra Low Voltage)/Class 2 power supplies.
4. Suitable for installation in Dry Locations.
5. Avoid looking directly into the light source during operation - glare hazard.
6. Do not store packed units over 70° F and over 50% humidity more than 12 months.



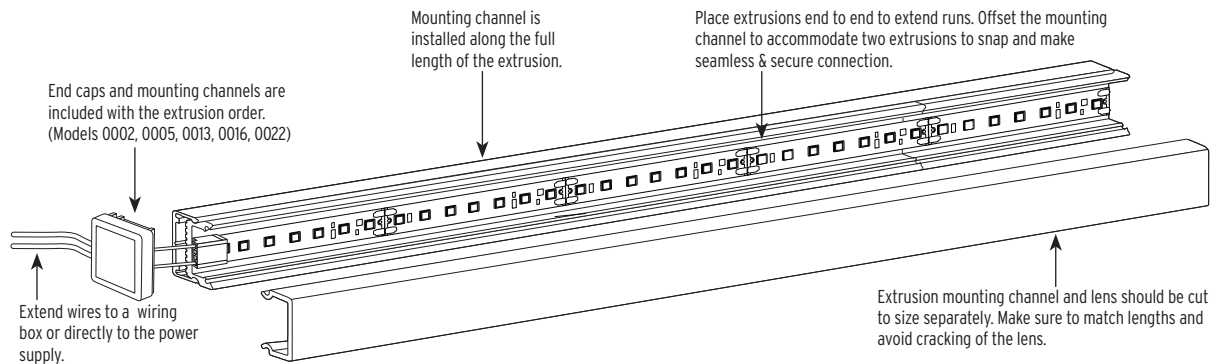
NOTE

Prior to installation, always test the LED tape with a suitable power supply in order to confirm operation and that the factory connections are secure. LED Linear only honors warranty for supplied material and is not liable for installation errors.

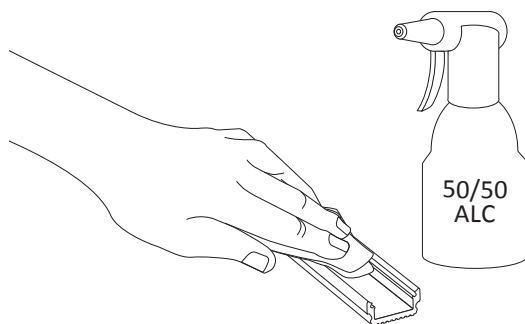


INSTALLATION IN ALUMINUM PROFILE (VarioContour 0002 is illustrated)

1 Overview

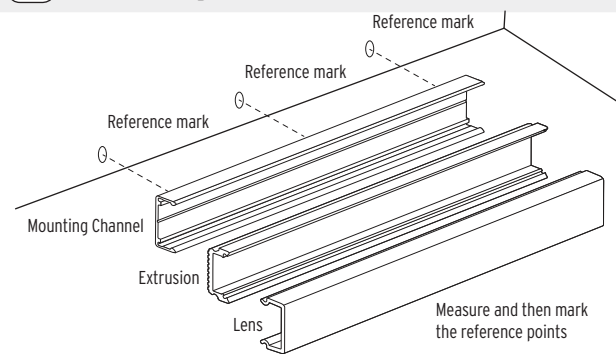


2 Preparing the Surface



Thoroughly clean the area where tape lights will be installed. Using a 50/50 alcohol mix, clean the area where LEDs will be applied and allow time for alcohol to dry for 5 minutes.

3 Measuring



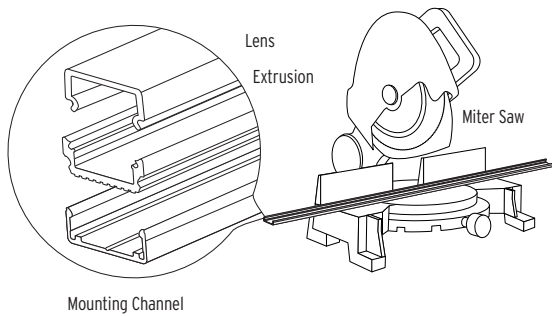
Align the mounting channel to the determined location. Mark reference points to install to the surface. The location of the power supply or wiring box should be determined prior to installation.

ATTENTION

Please read all safety and assembly instructions prior to installation and keep for future reference.

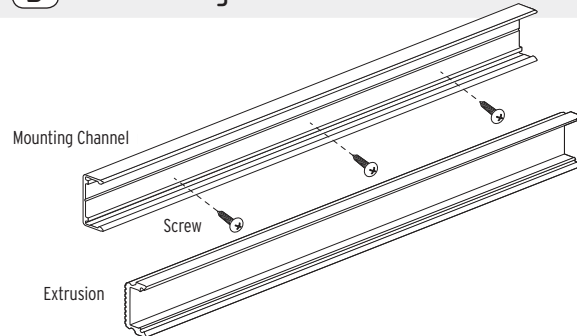


4 Field Cutting



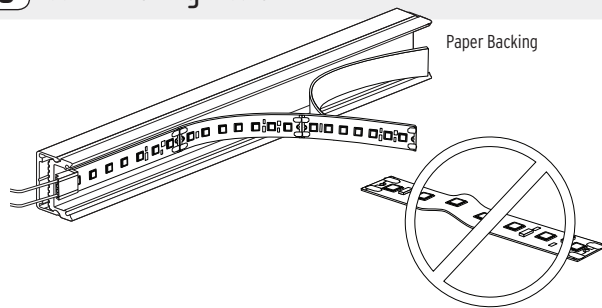
Cut extrusion, lens, & mounting channel to the desired length in the field. For short runs (<78"), cut all parts to the same length by using the proper blades for aluminum/plastic cut. For longer runs it is recommended to cut the mounting channel longer than the extrusion to accommodate end to end connections.

5 Assembling Fixture



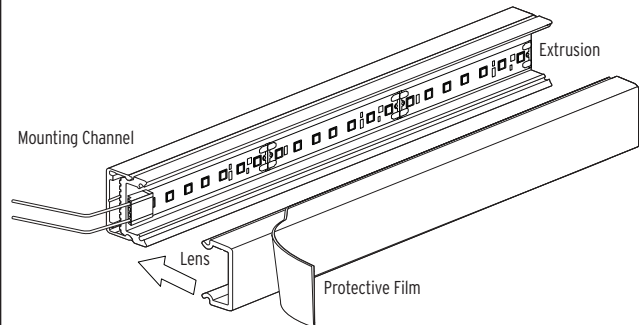
Lay mounting channel onto the surface along the pre-determined locations and secure using the provided screws. Using the mounting bracket is necessary for relevant models (002, 004, 005, 007, 013, 016). Gluing the channel to surface without using the mounting bracket should be avoided. Snap the channel into the mounting channel. Offset them for longer runs.

6 Assembling Fixture



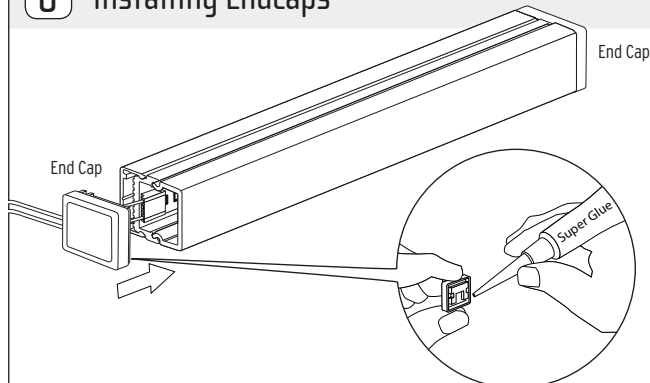
Attach the quick connector or solder lead wires to one side of the tape. Shorten the LED tape to desired length by cutting along the marked area in between the solder pads. Remove paper backing from the adhesive tape firmly press down onto the aluminum surface. Uncoil and peel minimal amount as you install to avoid collection of debris. Excessive uncoiling and peeling of tape create ripples and air bubbles on the tape that should be avoided.

7 Installing Lens



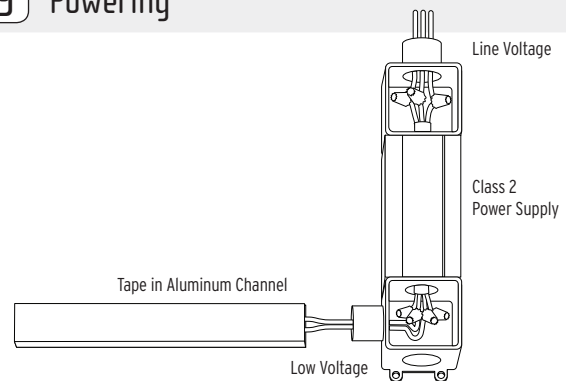
Snap the diffuser lens into the aluminum extrusion. Remove the protective film from the diffuser lens.

8 Installing Endcaps



Feed the lead wires through or behind the endcap. Add Super Glue inside and around end cap to secure it in place. For select models, use torque bit to screw the endcap. If applicable, secure the Quick Connector by adding super glue and pressing it onto the extrusion.

9 Powering



Ensure the correct (wattage & voltage) power supply is used to power the tape. Then proceed to connect low voltage wires from extrusion to power supply. For more information please refer to power supply and LED tape wiring instructions.