

INSTALLATION INSTRUCTIONS

CLASS 2 ELV DIMMING DRIVERS

MODELS: D-REM-X-XXXW-ELV-XXX-IP67

Please read all instructions prior to installation and keep for future reference.

This power supply is to be installed by a qualified electrician in accordance with the National Electrical Code (NEC) and local building codes.



IMPORTANT SAFETY INSTRUCTIONS

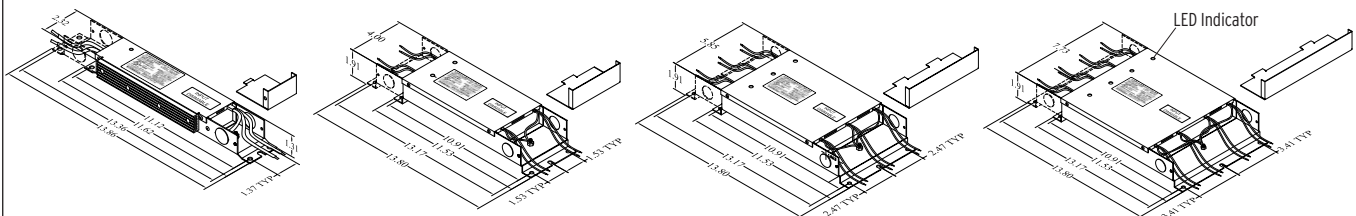
1. Read and follow all safety instructions.
2. Refer to the National code, ANSI/NFPA 70, specifically for the installation of wiring and clearances from power and lighting conductors.
3. Installation work and electrical wiring must be done by qualified person in accordance with all applicable codes and standards, including fire rated construction.
4. **WARNING:** Risk of fire. Installation involves special wiring methods to run through building structure. Consult a qualified electrician.
5. **WARNING:** Risk of Electrical Shock. Mount the unit at a greater height than 1 foot from the ground surface.

MOUNTING

Refer to the product labeling for detailed line and load wiring procedure.

- A. For connection, Use NO 12-22 AWG Cu wires insulated for a minimum of 90C, rated for 600V.
- B. Use wire connectors suitable for the number and size conductors being connected and applied in accordance with the connector manufacturer's instructions.
- C. Minimum 20 amp supply side branch circuit.
- D. A disconnect device shall be located in the field wiring.

1 Before Installing

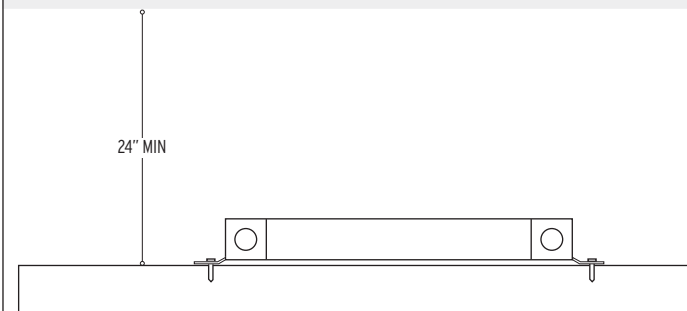


Before installing, check the label and ensure the power supply has the proper input voltage, output voltage, and wattage for the job. Check the wire markings to ensure they match the wiring diagram on page 2.

2 Voltage

- Test driver output voltage before connecting any fixtures to ensure that the voltage is not below 23V and does not exceed 25V.
- The optimal operating voltage range for all LED Linear tapes is between 23V and 25V.

3 Mounting



This power supply may be mounted in any orientation with a minimum of 12" above deck or ground level, 24" below ceiling. No spacing between adjacent power supplies or surfaces is required as mounted.

Measure the mounting point distance for the power supply mounting bracket. Mark the mounting bracket to the surface and drill a minimum of 2 holes to match the bracket holes centers.

Continued on page 2

INSTALLATION INSTRUCTIONS

CLASS 2 ELV DIMMING DRIVERS

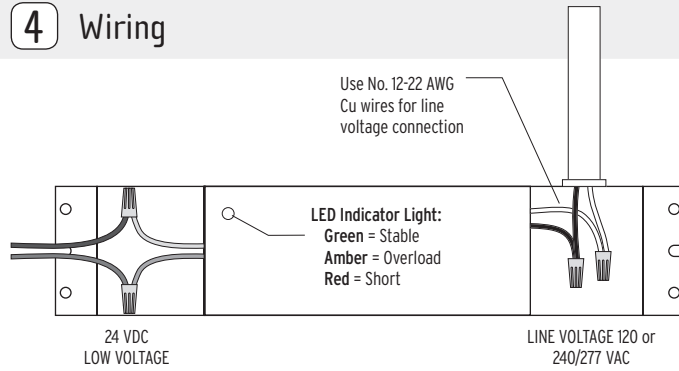
MODELS: D-REM-X-XXXW-ELV-XXX-IP67

Please read all instructions prior to installation and keep for future reference.

This power supply is to be installed by a qualified electrician in accordance with the National Electrical Code (NEC) and local building codes.



4 Wiring



Remove the wiring compartment cover and knockouts. With power off, route the input wires through knockout and connect LOAD to black wire and NEUTRAL to white wire. For all wire connections use only listed wire nuts and connectors of suitable size and type.

Connect the positive to the red wire and negative to the black wire. Reference LED indicator, for a stable load.

5 Dimming



This power supply can be dimmed by low voltage dimmers designed for electronic loads.