

INSTALLATION INSTRUCTIONS

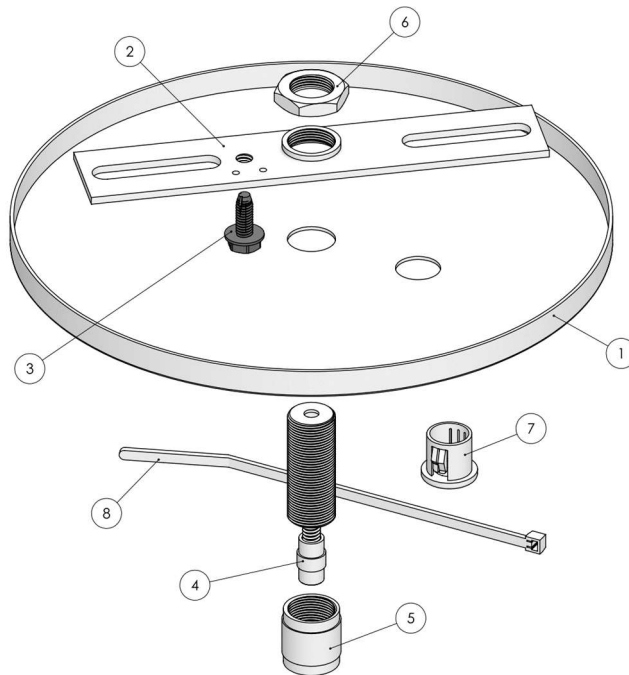
MODELS: Ceiling Canopy Kit #4

LED LINEAR™

ATTENTION

Please read all safety and assembly instructions prior to installation and keep for future reference.

1. Product should be installed by a qualified electrician with regards to all applicable electrical and safety standards.
2. Ensure power is shut off at the electrical panel prior to installation in order to prevent electrical shock.
3. Use only with SELV (Safety Extra Low Voltage)/Class 2 power supplies.
4. Suitable for installation in Dry Locations.



1) Material List

Item No.	Description	Dimensions	Quantity
1	5" Round Canopy	0.4" CH w- 0.375" PF	1
2	1/8" IP Cross bar	3.871" L x 0.742" W x 16 Gauge	1
3	Green Ground Screw	8/32	1
4	Bottom Exit Gripper W/Safety Nut for 1/16" Cable	1/8" IP Thread 0.4" Mounting Hole 1.454" Overall HT	1
5	1/8" IP Barrel Coupler	0.509" L x 0.491" W x 1/8" IP	1
6	Zinc Plated Nut	1/8" IP x 9/16" O.D. x 1/8"	1
7	Snap Bushing	3/8"	1
8	Cable Tie	4"	4

2) Installation

1. Install the cross-bar (2) onto the pre-installed 4" J-box (by others)
2. Remove the snap bushing (7) in order to feed the electrical cable from the fixture and ensure grounding (3) after making the electrical connections inside the J-box.
3. Remove the existing cable gripper from the aircraft cable and feed the cable through the gripper and the coupler (4 and 5).
4. Install the round canopy (1) using the gripper, coupler and zinc plated nut (4,5 and 6).
5. Use optional cable ties (8) to neatly tie the electrical cable to the aircraft cable.